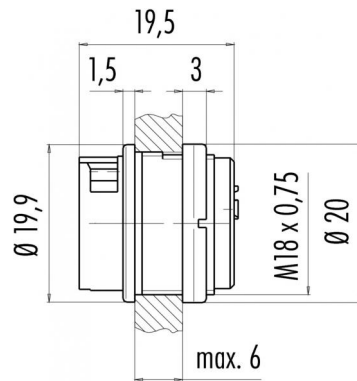


Product Area	Female socket Bayonet connectors	serie 678	Pole	4
			Article number	99 0612 00 04

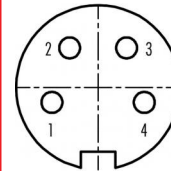
illustration



scale drawing



Contact Arrangement



	X	Y
1	-3,32	-1,08
2	-2,05	2,83
3	2,05	2,83
4	3,32	-1,08

You can find the assembly instruction on the next page.

Technical data

Common values

Connector Design	Female socket
Connector locking system	BayonetHocking
Termination	solder
Wire gauge (mm)	0,75 mm ²
Wire gauge (AWG)	20
Cable outlet	-
Upper temperature	+85 °C
Lower temperature	-40 °C

Material

Material of contact	CuSn (bronze)
Contact plating	Ag (silver)
Material of contact body	PBT (UL 94 V-0)
Material of housing	PA (UL 94 V-0)

Cable data

Contacts 4, female socket

Electrical values

Rated voltage	250 V
Rated impulse voltage	1500 V
Pollution degree	I
Overvoltage category	I
Material group	III
Rated current (40°C)	6 A
Volume resistivity	≤ 5 mΩ
EMV compliance	not shielded
Degree of protection	IP 40
Mechanical operation	>500 mating cycles



Product
Area

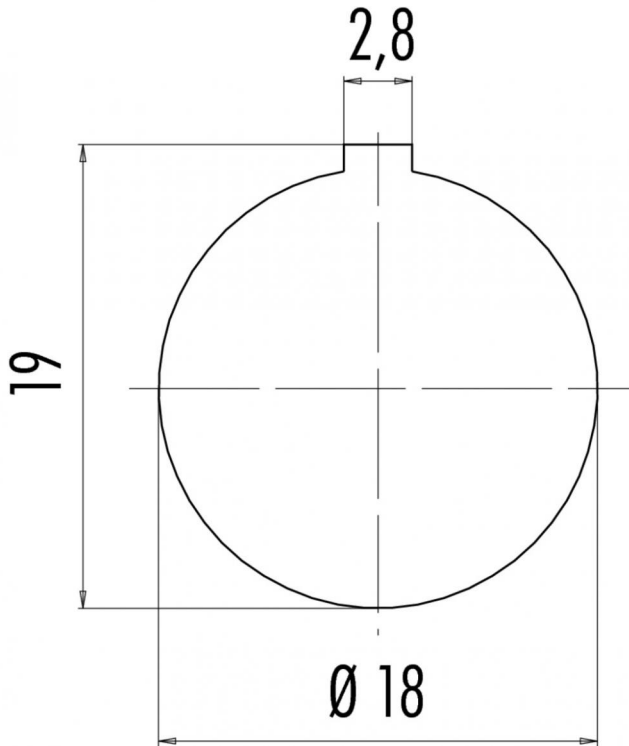
Female socket
Bayonet connectors

serie 678

Pole
Article number

4
99 0612 00 04

Installation instructions / Mounting cutout



Date: 2014-07-20 - Page 2 of 2