

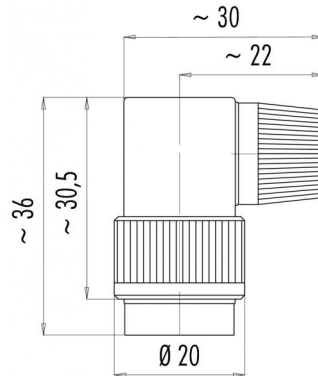
Product Area Female angled connector, cable outlet 4-6 mm Bayonet connectors serie 678

Pole 4
Article number 99 0610 70 04

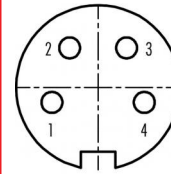
illustration



scale drawing



Contact Arrangement



	X	Y
1	-3,32	-1,08
2	-2,05	2,83
3	2,05	2,83
4	3,32	-1,08

You can find the item description on the next page.

Technical data

Common values

Connector Design	Female angled cable connector
Connector locking system	BayonetHocking
Termination	solder
Wire gauge (mm)	0,75 mm ²
Wire gauge (AWG)	20
Cable outlet	4 - 6 mm
Upper temperature	+85 °C
Lower temperature	-40 °C

Material

Material of contact	CuSn (bronze)
Contact plating	Ag (silver)
Material of contact body	PBT (UL 94 V-0)
Material of housing	PA (UL 94 V-0)

Cable data

Contacts 4, female angled connector, cable outlet 4 - 6 mm

Electrical values

Rated voltage	250 V
Rated impulse voltage	1500 V
Pollution degree	I
Overvoltage category	I
Material group	III
Rated current (40°C)	6 A
Volume resistivity	≤ 5 mΩ
EMV compliance	not shielded
Degree of protection	IP 40
Mechanical operation	>500 mating cycles



Product Area Female angled connector, cable outlet 4-6 mm
 Bayonet connectors serie 678

Pole 4
 Article number 99 0610 70 04

Date: 2014-07-20 - Page 2 of 2

Item description

