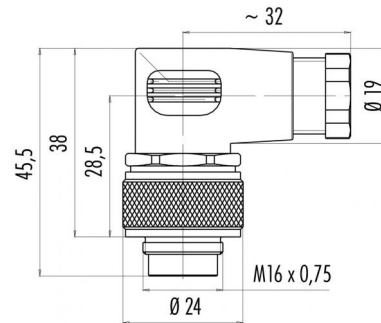


Product	Male angled connector, cable outlet 4-6 mm (.16 - .24 in.)	Pole	7 DIN
Area	M16 connectors IP 67	Article number	99 0581 106 07
	serie 723		

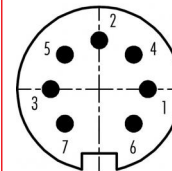
illustration



scale drawing



Contact Arrangement



	X	Y
1	3,50	0,00
2	0,00	3,50
3	-3,50	0,00
4	2,47	2,47
5	-2,47	2,47
6	2,47	-2,47
7	-2,47	-2,47

You can find the item description on the next page.

Technical data

Common values

Connector Design	Male angled cable connector
Connector locking system	Screw
Termination	solder
Wire gauge (mm)	0,75 mm ²
Wire gauge (AWG)	20
Cable outlet	4 - 6 mm
Upper temperature	+95 °C
Lower temperature	-40 °C

Material

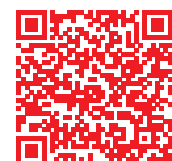
Material of contact	CuZn (brass)
Contact plating	Ag (silver)
Material of contact body	PBT (UL 94 V-0)
Material of housing	PA (UL 94 HB)

Cable data

Contacts 7 DIN, male angled connector, cable outlet 4 - 6 mm, silver plated contacts

Electrical values

Rated voltage	60 V
Rated impulse voltage	500 V
Pollution degree	I
Overvoltage category	I
Material group	III
Rated current (40°C)	5 A
Volume resistivity	≤ 5 mΩ
EMV compliance	not shielded
Degree of protection	IP 67
Mechanical operation	>500 mating cycles



Product Male angled connector, cable outlet 4-6 mm (.16 - .24 in.)
 Area M16 connectors IP 67 serie 723

Pole 7 DIN
 Article number 99 0581 106 07

Date: 2014-07-20 - Page 2 of 2

Item description

