

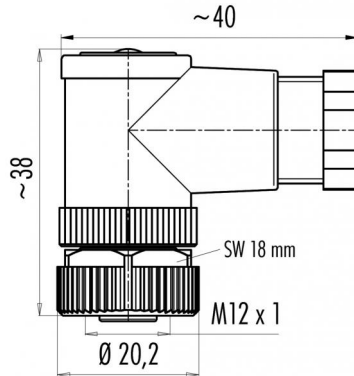
Product Area Female angled connector, metal locking system, solder termination
M12 connectors A-Coding serie 713

Pole 12
Article number 99 0492 52 12

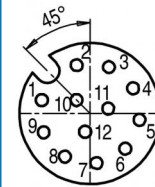
illustration



scale drawing



Contact Arrangement



	X	Y
1	-2,80	0,78
2	-0,78	2,80
3	1,09	2,69
4	2,51	1,46
5	2,88	-0,37
6	2,05	-2,05
7	0,37	-2,88
8	-1,46	-2,51
9	-2,69	-1,09
10	-0,78	0,78
11	1,06	0,29
12	-0,29	-1,06

You can find the item description and assembly instruction on the next page.

Technical data

Common values

Connector Design	Female angled cable connector
Connector locking system	Screw
Termination	solder
Wire gauge (mm)	0,25 mm ²
Wire gauge (AWG)	24
Cable outlet	6 - 8 mm
Upper temperature	+85 °C
Lower temperature	-40 °C

Material

Material of contact	CuSn (bronze)
Contact plating	Au (gold)
Material of contact body	PA
Material of housing	PBT

Cable data

Contacts 12: cable outlet: 6 - 8 mm, Female angled connector, metal locking system, solder termination

Electrical values

Rated voltage	30 V
Rated impulse voltage	500 V
Pollution degree	3
Overvoltage category	II
Material group	II
Rated current (40°C)	2 A
Volume resistivity	≤ 3 mΩ
Degree of protection	IP 67
Mechanical operation	>100 mating cycles



Product Area: Female angled connector, metal locking system, solder termination
M12 connectors A-Coding serie 713

Pole: 12
Article number: 99 0492 52 12

Item description



Installation instructions / Mounting cutout



	Schraubklemmversion screw connection	Lötversion solder version	Käfigzugfederversion wire clamp connection
Maß A/mm measure A/mm	5	3,5	7