

Product Area Male cable connector
M9 connectors IP 40

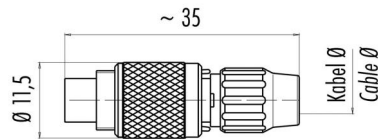
serie 711

Pole 7
Article number 99 0475 100 07

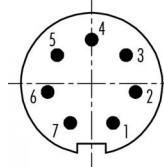
illustration



scale drawing



Contact Arrangement



| | X | Y |
|---|-------|-------|
| 1 | 0,90 | -1,65 |
| 2 | 1,85 | -0,35 |
| 3 | 1,45 | 1,20 |
| 4 | 0,00 | 1,85 |
| 5 | -1,45 | 1,20 |
| 6 | -1,85 | -0,35 |
| 7 | -0,90 | -1,65 |

You can find the item description on the next page.

Technical data

Common values

| | |
|--------------------------|----------------------|
| Connector Design | Male cable connector |
| Connector locking system | Screw |
| Termination | solder |
| Wire gauge (mm) | 0,14 mm ² |
| Wire gauge (AWG) | 26 |
| Cable outlet | 3 - 4 mm |
| Upper temperature | +85 °C |
| Lower temperature | -40 °C |

Electrical values

| | |
|-----------------------|--------------------|
| Rated voltage | 125 V |
| Rated impulse voltage | 1500 V |
| Pollution degree | I |
| Overvoltage category | II |
| Material group | III |
| Rated current (40°C) | 1 A |
| Volume resistivity | ≤ 3 mΩ |
| EMV compliance | not shieldable |
| Degree of protection | IP 40 |
| Mechanical operation | >500 mating cycles |

Material

| | |
|--------------------------|-----------------|
| Material of contact | CuZn (brass) |
| Contact plating | Au (gold) |
| Material of contact body | PA (UL 94 V-0) |
| Material of housing | PA (UL 94 VH-B) |

Cable data

| | |
|------------------------|---|
| material housing | - |
| insulation single lead | - |
| single lead structure | - |
| conductor resistance | - |

Contacts 7, Male cable connector, cable outlet
3 - 4 mm



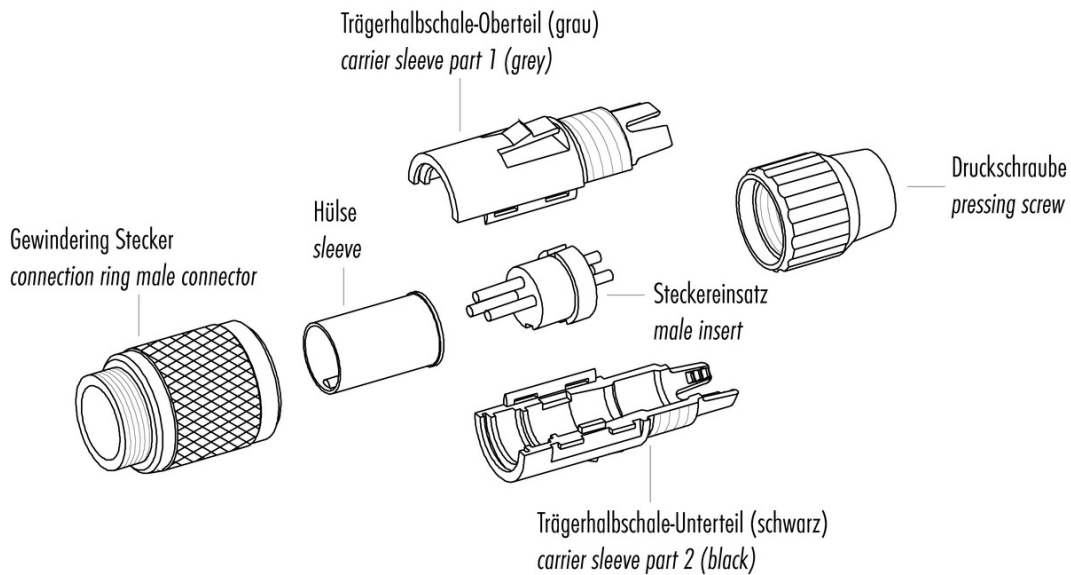
Product Male cable connector
Area M9 connectors IP 40

serie 711

Pole 7
Article number 99 0475 100 07

Date: 2014-07-20 - Page 2 of 2

Item description



Achtung: max. Drehmoment des Gewindinges im Flanschsteckverbinder: 50cNm (handfest)
Attention: max. torque of ring nut in socket connector: 50cNm (manual adjustment)