

Product Area

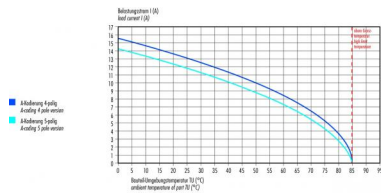
Kabeldose, Power
M12 connectors A-Coding

serie 713 POWER

Pole
Article number

4
99 0430 19 04

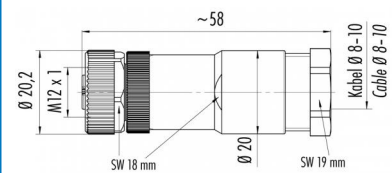
Deratingkurven



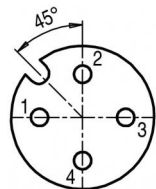
illustration



scale drawing



Contact Arrangement



	X	Y
1	-2,50	0,00
2	0,00	2,50
3	2,50	0,00
4	0,00	-2,50

You can find the assembly instruction on the next page.

Technical data

Common values

Connector Design	Female cable connector
Cable outlet	8 - 10 mm
Upper temperature	+85 °C
Lower temperature	-40 °C

Material

Material of contact	CuZn (brass)
Contact plating	CuSnZn (Optalloy)
Material of contact body	PA
Material of housing	PA

Electrical values

Rated voltage	250 V
Rated impulse voltage	2500 V
Pollution degree	3
Overvoltage category	II
Material group	II
Rated current (40°C)	8 A
Volume resistivity	$\leq 3 \text{ m}\Omega$
Degree of protection	IP 67
Mechanical operation	>100 mating cycles

Cable data

Polzahl: 4, Kabeldurchlass: 8 - 10 mm,
Kabeldose, Power



Product
Area

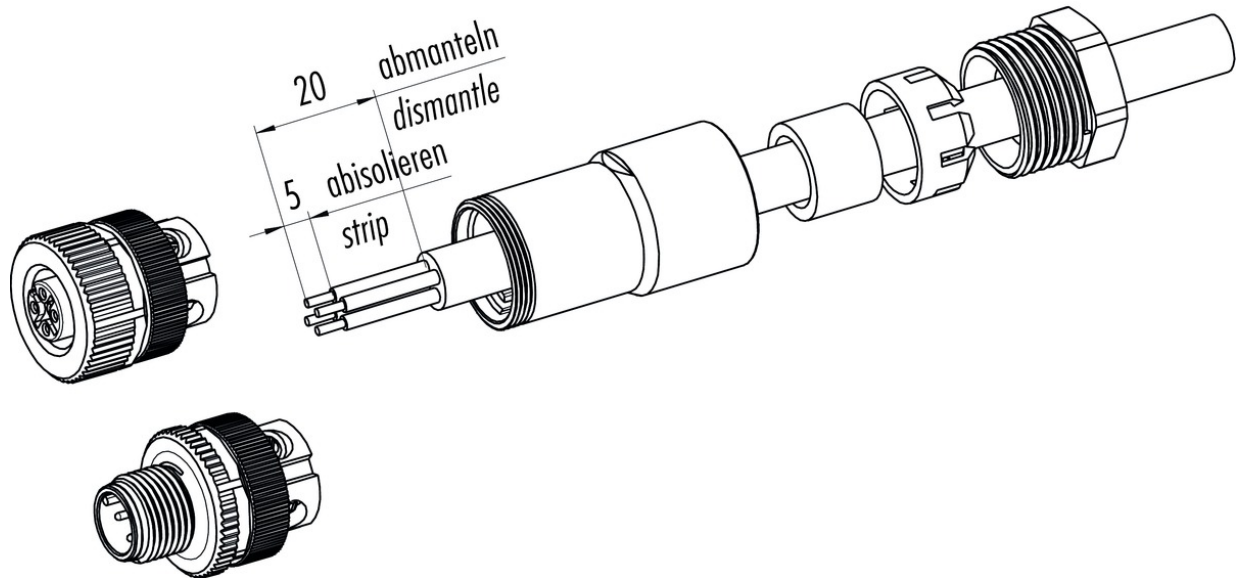
Kabeldose, Power
M12 connectors A-Coding

serie 713 POWER

Pole
Article number

4
99 0430 19 04

Installation instructions / Mounting cutout



Date: 2014-07-20 - Page 2 of 2