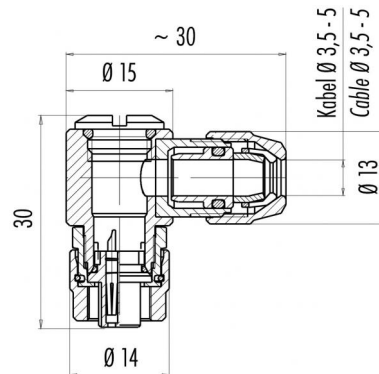


Product Area	Female cable connector 360° EMI protected, shieldable M9 connectors IP 67	serie 712	Pole	8
			Article number	99 0426 75 08

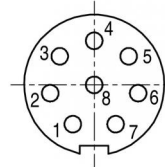
illustration



scale drawing



Contact Arrangement



	X	Y
1	-0,90	-1,63
2	-1,85	-0,35
3	-1,45	1,20
4	0,00	1,85
5	1,45	1,20
6	1,85	-0,35
7	0,90	-1,63
8	0,00	0,00

You can find the item description on the next page.

Technical data

Common values

Connector Design	Female angled cable connector
Connector locking system	Screw
Termination	solder
Wire gauge (mm)	0,14 mm <sup>2</sup>
Wire gauge (AWG)	26
Cable outlet	3,5 - 5 mm
Upper temperature	+85 °C
Lower temperature	-40 °C

Material

Material of contact	CuSn (bronze)
Contact plating	Au (gold)
Material of contact body	PA (UL 94 V-0)
Material of housing	CUZn (brass nickel plated)

Cable data

material housing	-
insulation single lead	-
single lead structure	-
conductor resistance	-

Electrical values

Rated voltage	125 V
Rated impulse voltage	1500 V
Pollution degree	I
Overvoltage category	II
Material group	III
Rated current (40°C)	1 A
Volume resistivity	≤ 3 mΩ
EMV compliance	shieldable
Degree of protection	IP 67
Mechanical operation	>500 mating cycles

Contacts 8, Female angled connector 360°  
EMI protected, shieldable



Product Area Female cable connector 360° EMI protected, shieldable  
M9 connectors IP 67 serie 712

Pole 8  
Article number 99 0426 75 08

Date: 2014-07-20 - Page 2 of 2

Item description

