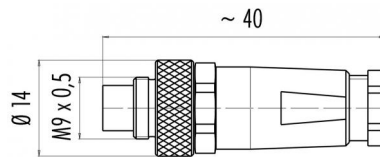


Product Area	Male cable connector 360° EMI protected, shieldable M9 connectors IP 67	serie 712	Pole	3
			Article number	99 0405 10 03

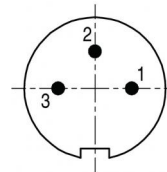
illustration



scale drawing



Contact Arrangement



	X	Y
1	1,55	0,00
2	0,00	1,55
3	-1,55	0,00

You can find the item description and assembly instruction on the next page.

Technical data

Common values

Connector Design	Male cable connector
Connector locking system	Screw
Termination	solder
Wire gauge (mm)	0,25 mm ²
Wire gauge (AWG)	24
Cable outlet	3,5 - 5 mm
Upper temperature	+85 °C
Lower temperature	-40 °C

Electrical values

Rated voltage	125 V
Rated impulse voltage	1500 V
Pollution degree	I
Overvoltage category	II
Material group	III
Rated current (40°C)	4 A
Volume resistivity	≤ 3 mΩ
EMV compliance	shieldable
Degree of protection	IP 67
Mechanical operation	>500 mating cycles

Material

Material of contact	CuZn (brass)
Contact plating	Au (gold)
Material of contact body	PBT (UL 94 V-0)
Material of housing	CUZn (brass nickel plated)

Cable data

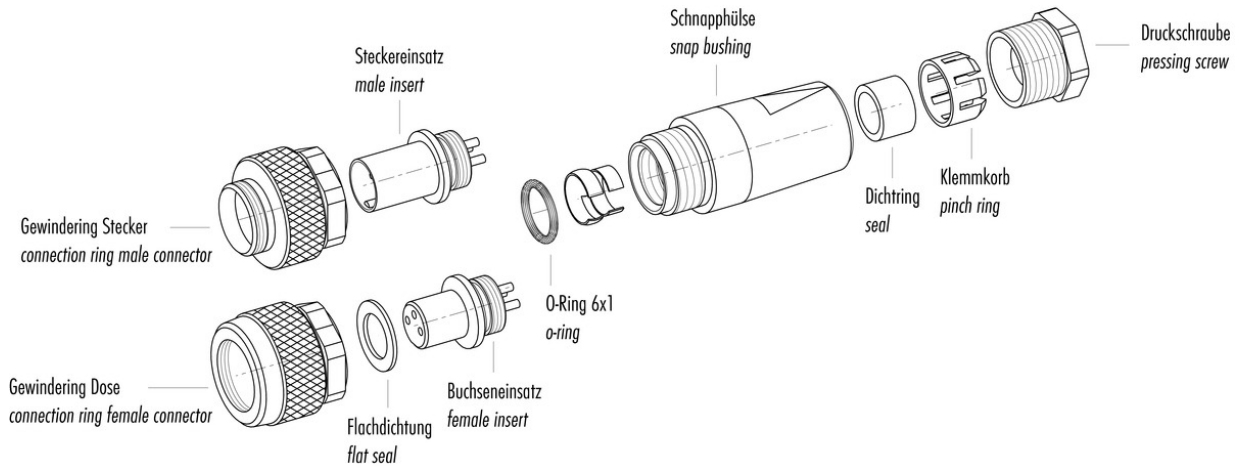
material housing	-
insulation single lead	-
single lead structure	-
conductor resistance	-

Contacts 3, Male cable connector 360° EMI protected, shieldable



Product Area	Male cable connector 360° EMI protected, shieldable M9 connectors IP 67	serie 712	Pole	3
			Article number	99 0405 10 03

Item description



Installation instructions / Mounting cutout

- | | |
|---|---|
| <p>1. Teile auffädeln, Kabel abmanteln, Schirm kürzen, Leiter abisolieren</p> | <p>1. Bead parts, dismantle cable, shorten shield, strip wire</p> |
| <p>2. Schirm umlegen, Schirmmanschette an Kabeldurchmesser anpassen und mit Schirm verlöten</p> | <p>2. Fold shield back, fit collar to cable diameter and solder with shield</p> |
| <p>3. Überstehendes Geflecht abschneiden, Kontakteinsatz anlöten</p> | <p>3. Cut off projecting shielding braid, solder insert</p> |
| <p>4. Übrige Teile gemäß Darstellung montieren</p> | <p>4. Mount remaining parts acc. to figure</p> |

