

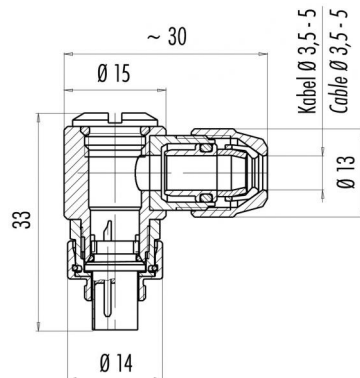
Product Male angled connector 360° EMI protected, shieldable
Area M9 connectors IP 67 serie 712

Pole 2
Article number 99 0401 75 02

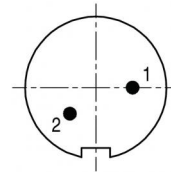
illustration



scale drawing



Contact Arrangement



	X	Y
1	1,55	0,00
2	-1,09	-1,09

You can find the item description and assembly instruction on the next page.

Technical data

Common values

Connector Design	Male angled cable connector
Connector locking system	Screw
Termination	solder
Wire gauge (mm)	0,25 mm ²
Wire gauge (AWG)	24
Cable outlet	3,5 - 5 mm
Upper temperature	+85 °C
Lower temperature	-40 °C

Electrical values

Rated voltage	125 V
Rated impulse voltage	1500 V
Pollution degree	I
Overvoltage category	II
Material group	III
Rated current (40°C)	4 A
Volume resistivity	≤ 3 mΩ
EMV compliance	shieldable
Degree of protection	IP 67
Mechanical operation	>500 mating cycles

Material

Material of contact	CuZn (brass)
Contact plating	Au (gold)
Material of contact body	PBT (UL 94 V-0)
Material of housing	CUZn (brass nickel plated)

Cable data

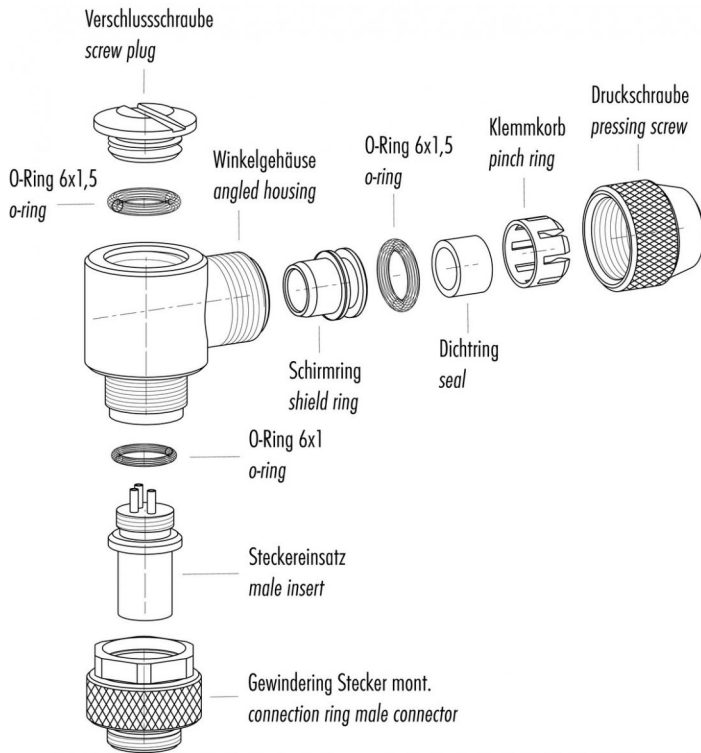
material housing	-
insulation single lead	-
single lead structure	-
conductor resistance	-

Contacts 2, Male angled connector 360° EMI protected, shieldable



Product Area	Male angled connector 360° EMI protected, shieldable M9 connectors IP 67 serie 712	Pole	2
		Article number	99 0401 75 02

Item description



Installation instructions / Mounting cutout

