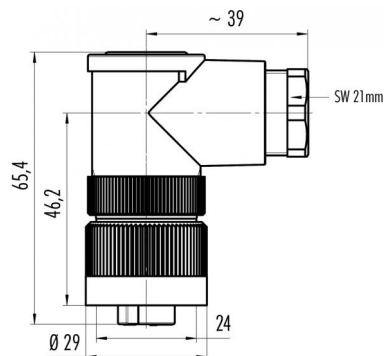


Product Area	Female angled connector, PG13,5 RD 24 connectors	serie 693	Pole Article number	6+PE 99 0218 215 07
--------------	---	-----------	---------------------	------------------------

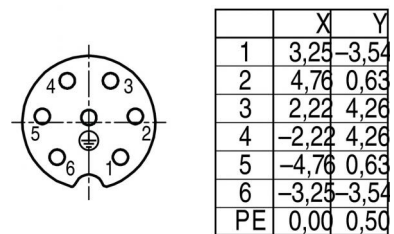
illustration



scale drawing



Contact Arrangement



You can find the item description on the next page.

Technical data

Common values

Connector Design	Female angled cable connector
Termination	screw
Wire gauge (mm)	0,34-1,5 mm ²
Wire gauge (AWG)	22-16
Cable outlet	10 - 12 mm
Upper temperature	+100 °C
Lower temperature	-40 °C

Material

Material of contact	CuSn (bronze), CuZn (brass)
Contact plating	Ag (silver)
Material of contact body	PBT (UL 94 V-0)
Material of housing	PBT (UL 94 V 0)

Cable data

Number of poles 6+PE: female angled connector PG 13,5, screw

Electrical values

Rated voltage	250 V
Rated impulse voltage	4000 V
Pollution degree	3
Overvoltage category	III
Material group	III
Rated current (40°C)	10 A
Volume resistivity	≤ 5 mΩ
Degree of protection	IP 67
Mechanical operation	>500 mating cycles



Product Female angled connector, PG13,5
Area RD 24 connectors

serie 693

Pole 6+PE
Article number 99 0218 215 07

Date: 2014-07-20 - Page 2 of 2

Item description

