

Product Female angled connector, PG11
Area RD 24 connectors

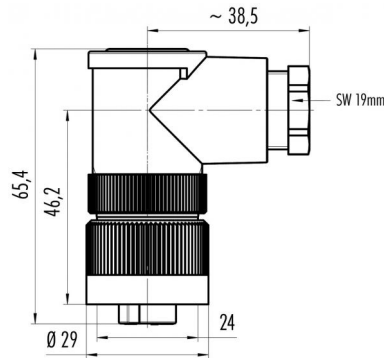
serie 693

Pole 6+PE
Article number 99 0214 210 07

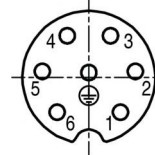
illustration



scale drawing



Contact Arrangement



	X	Y
1	3,25	-3,54
2	4,76	0,63
3	2,22	4,26
4	-2,22	4,26
5	-4,76	0,63
6	-3,25	-3,54
PE	0,00	0,50

You can find the item description on the next page.

Technical data

Common values

Connector Design	Female angled cable connector
Termination	solder
Wire gauge (mm)	0,75 mm ²
Wire gauge (AWG)	18
Cable outlet	8 - 10 mm
Upper temperature	+100 °C
Lower temperature	-40 °C

Material

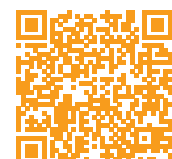
Material of contact	CuSn (bronze), CuZn (brass)
Contact plating	Ag (silver)
Material of contact body	PBT (UL 94 V-0)
Material of housing	PBT (UL 94 V 0)

Cable data

Number of poles 6+PE: female angled connector PG 11, solder

Electrical values

Rated voltage	250 V
Rated impulse voltage	4000 V
Pollution degree	3
Overvoltage category	III
Material group	III
Rated current (40°C)	10 A
Volume resistivity	≤ 5 mΩ
Degree of protection	IP 67
Mechanical operation	>500 mating cycles



Product Female angled connector, PG11
Area RD 24 connectors

serie 693

Pole 6+PE
Article number 99 0214 210 07

Date: 2014-07-20 - Page 2 of 2

Item description

