

Product Male angled connector, PG13,5  
Area RD 24 connectors

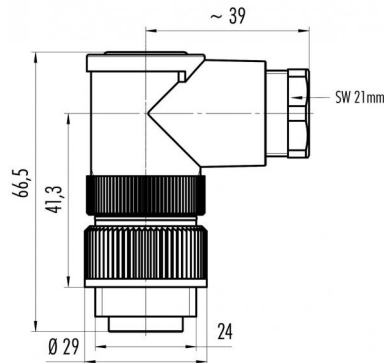
serie 693

Pole 3+PE  
Article number 99 0209 215 04

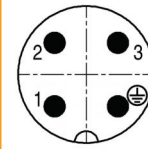
illustration



scale drawing



Contact Arrangement



	X	Y
1	-3,18	-3,18
2	-3,18	3,18
3	3,18	3,18
PE	3,18	-3,18

You can find the item description on the next page.

Technical data

Common values

Connector Design	Male angled cable connector
Termination	screw
Wire gauge (mm)	0,5-2,5 mm <sup>2</sup>
Wire gauge (AWG)	20-14
Cable outlet	10 - 12 mm
Upper temperature	+100 °C
Lower temperature	-40 °C

Material

Material of contact	CuZn (brass)
Contact plating	Ag (silver)
Material of contact body	PBT (UL 94 V-0)
Material of housing	PBT (UL 94 V 0)

Cable data

Number of poles 3+PE: male angled connector  
PG 13,5, screw

Electrical values

Rated voltage	400 V
Rated impulse voltage	6000 V
Pollution degree	3
Overvoltage category	III
Material group	III
Rated current (40°C)	16 A
Volume resistivity	≤ 5 mΩ
Degree of protection	IP 67
Mechanical operation	>500 mating cycles



Product Male angled connector, PG13,5  
Area RD 24 connectors

serie 693

Pole 3+PE  
Article number 99 0209 215 04

Date: 2014-07-20 - Page 2 of 2

Item description

