

Product Female angled connector, PG11
Area RD 24 connectors

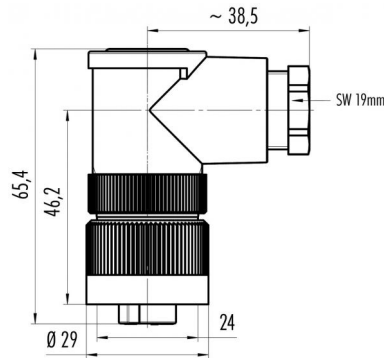
serie 693

Pole 6+PE
Article number 99 0202 210 07

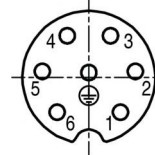
illustration



scale drawing



Contact Arrangement



| | X | Y |
|----|-------|-------|
| 1 | 3,25 | -3,54 |
| 2 | 4,76 | 0,63 |
| 3 | 2,22 | 4,26 |
| 4 | -2,22 | 4,26 |
| 5 | -4,76 | 0,63 |
| 6 | -3,25 | -3,54 |
| PE | 0,00 | 0,50 |

You can find the item description on the next page.

Technical data

Common values

| | |
|-------------------|-------------------------------|
| Connector Design | Female angled cable connector |
| Termination | crimp |
| Wire gauge (mm) | 0,14-1,5 mm ² |
| Wire gauge (AWG) | 26-16 |
| Cable outlet | 8 - 10 mm |
| Upper temperature | +100 °C |
| Lower temperature | -40 °C |

Material

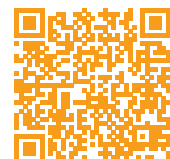
| | |
|--------------------------|-----------------------------|
| Material of contact | CuSn (bronze), CuZn (brass) |
| Contact plating | Ag (silver) |
| Material of contact body | PBT (UL 94 V-0) |
| Material of housing | PBT (UL 94 V 0) |

Cable data

Number of poles 6+PE: female angled connector PG 11, crimp

Electrical values

| | |
|-----------------------|--------------------|
| Rated voltage | 250 V |
| Rated impulse voltage | 4000 V |
| Pollution degree | 3 |
| Overvoltage category | III |
| Material group | III |
| Rated current (40°C) | 10 A |
| Volume resistivity | ≤ 5 mΩ |
| Degree of protection | IP 67 |
| Mechanical operation | >500 mating cycles |



Product Female angled connector, PG11
Area RD 24 connectors

serie 693

Pole 6+PE
Article number 99 0202 210 07

Date: 2014-07-20 - Page 2 of 2

Item description

