

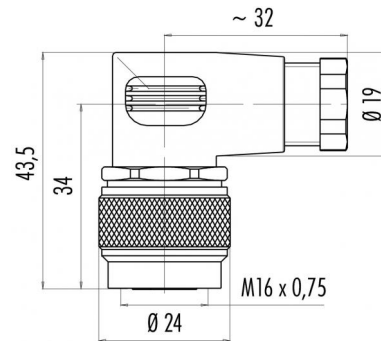
Product Female angled connector, cable outlet 4-6 mm (.16-.24 in.)  
Area M16 connectors IP 67 serie 723

Pole 8 DIN  
Article number 99 0172 118 08

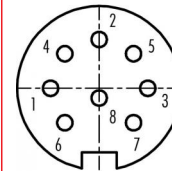
illustration



scale drawing



Contact Arrangement



|   | X     | Y     |
|---|-------|-------|
| 1 | -3,50 | 0,00  |
| 2 | 0,00  | 3,50  |
| 3 | 3,50  | 0,00  |
| 4 | -2,47 | 2,47  |
| 5 | 2,47  | 2,47  |
| 6 | -2,47 | -2,47 |
| 7 | 2,47  | -2,47 |
| 8 | 0,00  | -0,70 |

You can find the item description on the next page.

Technical data

Common values

|                          |                               |
|--------------------------|-------------------------------|
| Connector Design         | Female angled cable connector |
| Connector locking system | Screw                         |
| Termination              | solder                        |
| Wire gauge (mm)          | 0,75 mm <sup>2</sup>          |
| Wire gauge (AWG)         | 20                            |
| Cable outlet             | 4 - 6 mm                      |
| Upper temperature        | +95 °C                        |
| Lower temperature        | -40 °C                        |

Material

|                          |                 |
|--------------------------|-----------------|
| Material of contact      | CuSn (bronze)   |
| Contact plating          | Au (gold)       |
| Material of contact body | PBT (UL 94 V-0) |
| Material of housing      | PA (UL 94 HB)   |

Cable data

Contacts 8 DIN, female angled connector,  
cable outlet 4 - 6 mm, gold plated contacts

Electrical values

|                       |                    |
|-----------------------|--------------------|
| Rated voltage         | 60 V               |
| Rated impulse voltage | 500 V              |
| Pollution degree      | 1                  |
| Overvoltage category  | I                  |
| Material group        | III                |
| Rated current (40°C)  | 5 A                |
| Volume resistivity    | ≤ 3 mΩ             |
| EMV compliance        | not shielded       |
| Degree of protection  | IP 67              |
| Mechanical operation  | >500 mating cycles |



Product Female angled connector, cable outlet 4-6 mm (.16-.24 in.)  
Area M16 connectors IP 67 serie 723

Pole 8 DIN  
Article number 99 0172 118 08

Date: 2014-07-20 - Page 2 of 2

Item description

