

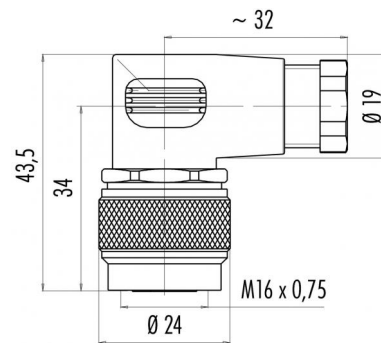
Product Female angled connector, cable outlet 4-6 mm (.16-.24 in.)
Area M16 connectors IP 67 serie 723

Pole 8 DIN
Article number 99 0172 106 08

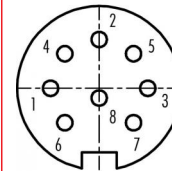
illustration



scale drawing



Contact Arrangement



| | X | Y |
|---|-------|-------|
| 1 | -3,50 | 0,00 |
| 2 | 0,00 | 3,50 |
| 3 | 3,50 | 0,00 |
| 4 | -2,47 | 2,47 |
| 5 | 2,47 | 2,47 |
| 6 | -2,47 | -2,47 |
| 7 | 2,47 | -2,47 |
| 8 | 0,00 | -0,70 |

You can find the item description on the next page.

Technical data

Common values

| | |
|--------------------------|-------------------------------|
| Connector Design | Female angled cable connector |
| Connector locking system | Screw |
| Termination | solder |
| Wire gauge (mm) | 0,75 mm ² |
| Wire gauge (AWG) | 20 |
| Cable outlet | 4 - 6 mm |
| Upper temperature | +95 °C |
| Lower temperature | -40 °C |

Material

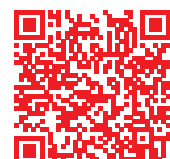
| | |
|--------------------------|-----------------|
| Material of contact | CuSn (bronze) |
| Contact plating | Ag (silver) |
| Material of contact body | PBT (UL 94 V-0) |
| Material of housing | PA (UL 94 HB) |

Cable data

Contacts 8 DIN, female angled connector,
cable outlet 4 - 6 mm, silver plated contacts

Electrical values

| | |
|-----------------------|--------------------|
| Rated voltage | 60 V |
| Rated impulse voltage | 500 V |
| Pollution degree | 1 |
| Overvoltage category | I |
| Material group | III |
| Rated current (40°C) | 5 A |
| Volume resistivity | ≤ 5 mΩ |
| EMV compliance | not shielded |
| Degree of protection | IP 67 |
| Mechanical operation | >500 mating cycles |



Product Female angled connector, cable outlet 4-6 mm (.16-.24 in.)
Area M16 connectors IP 67 serie 723

Pole 8 DIN
Article number 99 0172 106 08

Date: 2014-07-20 - Page 2 of 2

Item description

