

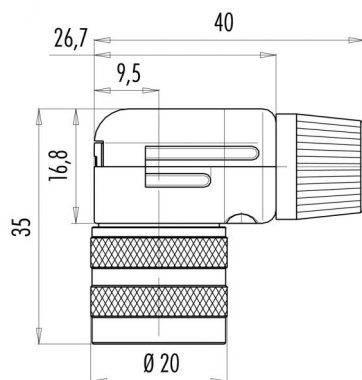
Product Female angled connector, cable outlet 6-7,8 mm, metal version  
Area M16 connectors IP 40 serie 682

Pole 12  
Article number 99 0148 12 12

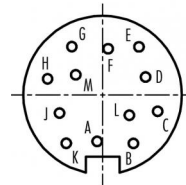
illustration



scale drawing



Contact Arrangement



	X	Y
A	-0,41	-3,45
B	2,29	-3,61
C	4,10	-1,21
D	3,20	1,34
E	2,71	3,59
F	0,41	3,45
G	-2,29	3,61
H	-4,10	1,21
J	-3,20	-1,34
K	-2,71	-3,59
L	-2,00	-1,51
M	-2,00	1,51

You can find the item description on the next page.

Technical data

Common values

Connector Design	Female angled cable connector
Connector locking system	Screw
Termination	solder
Wire gauge (mm)	0,25 mm <sup>2</sup>
Wire gauge (AWG)	24
Cable outlet	6 - 7,8 mm
Upper temperature	+85 °C
Lower temperature	-40 °C

Material

Material of contact	CuSn (bronze)
Contact plating	Au (gold)
Material of contact body	PBT (UL 94 V-0)
Material of housing	PA (UL 94 HB)

Cable data

Contacts 12, female angled connector, cable outlet 6 - 8 mm, metal version, shieldable, gold plated contacts

Electrical values

Rated voltage	60 V
Rated impulse voltage	500 V
Pollution degree	1
Overvoltage category	I
Material group	III
Rated current (40°C)	3 A
Volume resistivity	≤ 3 mΩ
EMV compliance	shielded
Degree of protection	IP 40
Mechanical operation	>500 mating cycles



Product Area Female angled connector, cable outlet 6-7,8 mm, metal version  
M16 connectors IP 40 serie 682

Pole 12  
Article number 99 0148 12 12

Date: 2014-07-20 - Page 2 of 2

Item description

