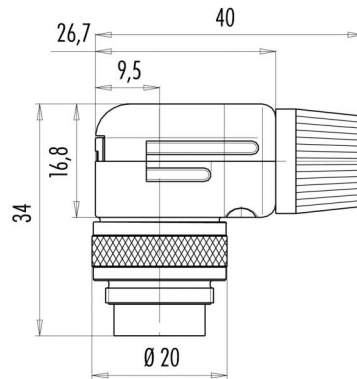


Product Area	Male angled connector, cable outlet 4-6 mm, metal version M16 connectors IP 40 serie 682	Pole Article number	3 DIN 99 0135 10 03
--------------	---	---------------------	------------------------

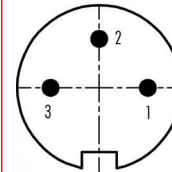
illustration



scale drawing



Contact Arrangement



	X	Y
1	3,50	0,00
2	0,00	3,50
3	-3,50	0,00

You can find the item description on the next page.

Technical data

Common values

Connector Design	Male angled cable connector
Connector locking system	Screw
Termination	solder
Wire gauge (mm)	0,75 mm ²
Wire gauge (AWG)	20
Cable outlet	4 - 6 mm
Upper temperature	+85 °C
Lower temperature	-40 °C

Material

Material of contact	CuZn (brass)
Contact plating	Ag (silver)
Material of contact body	PBT (UL 94 V-0)
Material of housing	PA (UL 94 HB)

Cable data

Contacts 3 DIN, male angled connector, cable outlet 4 - 6 mm, metal version, shieldable, silver plated contacts

Electrical values

Rated voltage	250 V
Rated impulse voltage	1500 V
Pollution degree	I
Overvoltage category	I
Material group	III
Rated current (40°C)	7 A
Volume resistivity	≤ 5 mΩ
EMV compliance	shielded
Degree of protection	IP 40
Mechanical operation	>500 mating cycles



Product Area	Male angled connector, cable outlet 4-6 mm, metal version M16 connectors IP 40 serie 682	Pole Article number	3 DIN 99 0135 10 03
--------------	---	---------------------	------------------------

Item description

