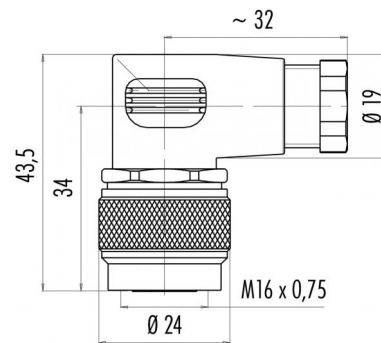


Product Area	Female angled connector, cable outlet 4-6 mm (.16-.24 in.) M16 connectors IP 67 serie 723	Pole Article number	5 stereo 99 0118 106 05
--------------	---	---------------------	----------------------------

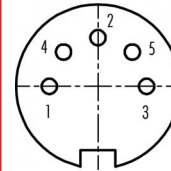
illustration



scale drawing



Contact Arrangement



	X	Y
1	-3,50	0,00
2	0,00	3,50
3	3,50	0,00
4	-2,47	2,47
5	2,47	2,47

You can find the item description on the next page.

Technical data

Common values

Connector Design	Female angled cable connector
Connector locking system	Screw
Termination	solder
Wire gauge (mm)	0,75 mm ²
Wire gauge (AWG)	20
Cable outlet	4 - 6 mm
Upper temperature	+95 °C
Lower temperature	-40 °C

Material

Material of contact	CuSn (bronze)
Contact plating	Ag (silver)
Material of contact body	PBT (UL 94 V-0)
Material of housing	PA (UL 94 HB)

Cable data

Contacts 5 Stereo, female angled connector,
cable outlet 4 - 6 mm, silver plated contacts

Electrical values

Rated voltage	60 V
Rated impulse voltage	500 V
Pollution degree	I
Overvoltage category	I
Material group	III
Rated current (40°C)	6 A
Volume resistivity	≤ 5 mΩ
EMV compliance	not shielded
Degree of protection	IP 67
Mechanical operation	>500 mating cycles



Product Female angled connector, cable outlet 4-6 mm (.16-.24 in.)
 Area M16 connectors IP 67 serie 723

Pole 5 stereo
 Article number 99 0118 106 05

Date: 2014-07-20 - Page 2 of 2

Item description

