

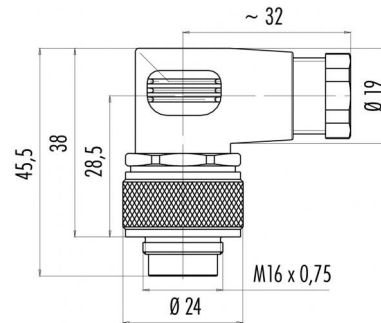
Product Male angled connector, cable outlet 6-8 mm (.24 - .32 in.)  
Area M16 connectors IP 67 serie 723

Pole 5 stereo  
Article number 99 0117 75 05

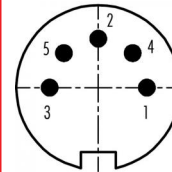
illustration



scale drawing



Contact Arrangement



|   | X     | Y    |
|---|-------|------|
| 1 | 3,50  | 0,00 |
| 2 | 0,00  | 3,50 |
| 3 | -3,50 | 0,00 |
| 4 | 2,47  | 2,47 |
| 5 | -2,47 | 2,47 |

You can find the item description on the next page.

Technical data

Common values

|                          |                      |
|--------------------------|----------------------|
| Connector Design         | Male cable connector |
| Connector locking system | Screw                |
| Termination              | solder               |
| Wire gauge (mm)          | 0,75 mm <sup>2</sup> |
| Wire gauge (AWG)         | 20                   |
| Cable outlet             | 6 - 8 mm             |
| Upper temperature        | +95 °C               |
| Lower temperature        | -40 °C               |

Material

|                          |                 |
|--------------------------|-----------------|
| Material of contact      | CuZn (brass)    |
| Contact plating          | Ag (silver)     |
| Material of contact body | PBT (UL 94 V-0) |
| Material of housing      | PA (UL 94 HB)   |

Cable data

Contacts 5 Stereo, male angled connector, cable outlet 6 - 8 mm, silver plated contacts

Electrical values

|                       |                    |
|-----------------------|--------------------|
| Rated voltage         | 60 V               |
| Rated impulse voltage | 500 V              |
| Pollution degree      | 1                  |
| Overvoltage category  | I                  |
| Material group        | III                |
| Rated current (40°C)  | 6 A                |
| Volume resistivity    | ≤ 5 mΩ             |
| EMV compliance        | not shielded       |
| Degree of protection  | IP 67              |
| Mechanical operation  | >500 mating cycles |



Product Male angled connector, cable outlet 6–8 mm (.24 - .32 in.)  
 Area M16 connectors IP 67 serie 723

Pole 5 stereo  
 Article number 99 0117 75 05

Date: 2014-07-20 - Page 2 of 2

Item description

