

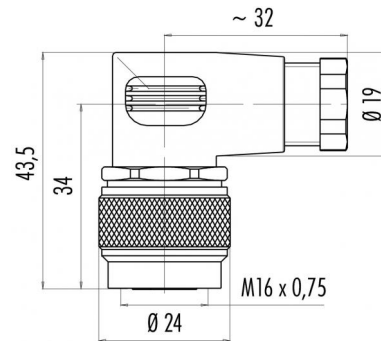
Product Area Female angled connector, cable outlet 6-8 mm (.24 - .32 in.)
M16 connectors IP 67 serie 723

Pole 2
Article number 99 0102 77 02

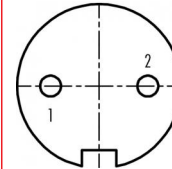
illustration



scale drawing



Contact Arrangement



| | X | Y |
|---|-------|------|
| 1 | -3,50 | 0,00 |
| 2 | 3,50 | 0,00 |

You can find the item description on the next page.

Technical data

Common values

| | |
|--------------------------|-------------------------------|
| Connector Design | Female angled cable connector |
| Connector locking system | Screw |
| Termination | solder |
| Wire gauge (mm) | 0,75 mm ² |
| Wire gauge (AWG) | 20 |
| Cable outlet | 6 - 8 mm |
| Upper temperature | +95 °C |
| Lower temperature | -40 °C |

Material

| | |
|--------------------------|-----------------|
| Material of contact | CuSn (bronze) |
| Contact plating | Au (gold) |
| Material of contact body | PBT (UL 94 V-0) |
| Material of housing | PA (UL 94 HB) |

Cable data

Contacts 2, female angled connector, cable outlet 6 - 8 mm, gold plated contacts

Electrical values

| | |
|-----------------------|--------------------|
| Rated voltage | 250 V |
| Rated impulse voltage | 1500 V |
| Pollution degree | I |
| Overvoltage category | I |
| Material group | III |
| Rated current (40°C) | 7 A |
| Volume resistivity | ≤ 3 mΩ |
| EMV compliance | not shielded |
| Degree of protection | IP 67 |
| Mechanical operation | >500 mating cycles |



Product Female angled connector, cable outlet 6-8 mm (.24 - .32 in.)
Area M16 connectors IP 67 serie 723

Pole 2
Article number 99 0102 77 02

Date: 2014-07-20 - Page 2 of 2

Item description

