

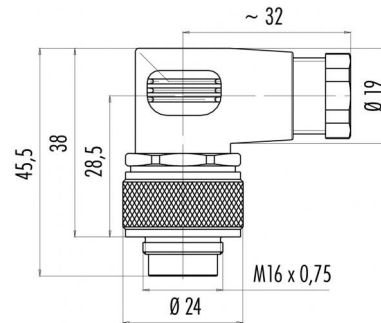
Product Male angled connector, cable outlet 4-6 mm (.16 - .24 in.)
Area M16 connectors IP 67 serie 723

Pole 2
Article number 99 0101 106 02

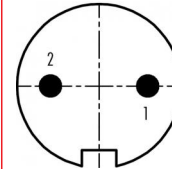
illustration



scale drawing



Contact Arrangement



	X	Y
1	3,50	0,00
2	-3,50	0,00

You can find the item description on the next page.

Technical data

Common values

Connector Design	Male cable connector
Connector locking system	Screw
Termination	solder
Wire gauge (mm)	0,75 mm ²
Wire gauge (AWG)	20
Cable outlet	4 - 6 mm
Upper temperature	+95 °C
Lower temperature	-40 °C

Material

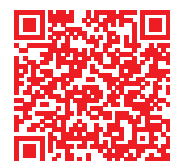
Material of contact	CuZn (brass)
Contact plating	Ag (silver)
Material of contact body	PBT (UL 94 V-0)
Material of housing	PA (UL 94 HB)

Cable data

Contacts 2, male angled connector, cable outlet 4 - 6 mm, silver plated contacts

Electrical values

Rated voltage	250 V
Rated impulse voltage	1500 V
Pollution degree	I
Overvoltage category	I
Material group	III
Rated current (40°C)	7 A
Volume resistivity	≤ 5 mΩ
EMV compliance	not shielded
Degree of protection	IP 67
Mechanical operation	>500 mating cycles



Product Male angled connector, cable outlet 4-6 mm (.16 - .24 in.)
Area M16 connectors IP 67 serie 723

Pole 2
Article number 99 0101 106 02

Date: 2014-07-20 - Page 2 of 2

Item description

