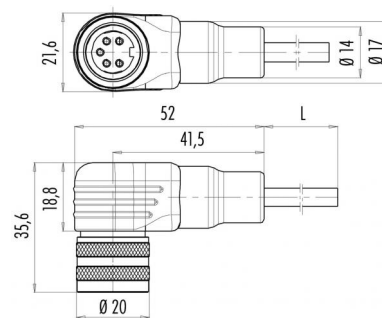


Product Area	Female angled cable connector moulded on cable shielded M16 connectors IP 67	serie 425	Pole	5	Article number	79 6314 200 05
--------------	---	-----------	------	---	----------------	----------------

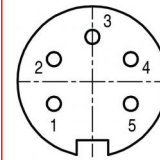
illustration



scale drawing



Contact Arrangement



- 1 weiß
- 2 braun
- 3 blau
- 4 schwarz
- 5 grau

Technical data

Common values

Connector Design	Female angled cable connector
Connector locking system	Screw
Termination	solder, overmoulded on cable
Wire gauge (mm)	0,25 mm ²
Wire gauge (AWG)	24
Cable outlet	-
Upper temperature	+70 °C
Lower temperature	-25 °C

Electrical values

Rated voltage	250 V
Rated impulse voltage	1500 V
Pollution degree	I
Overvoltage category	I
Material group	III
Rated current (40°C)	3 A
Volume resistivity	≤ 3 mΩ
EMV compliance	shielded
Degree of protection	IP 67
Mechanical operation	>500 mating cycles

Material

Material of contact	CuSn (bronze)
Contact plating	Au (gold)
Material of contact body	PBT (UL 94 V-0)
Material of housing	PUR

Cable data

material housing	PUR
insulation single lead	PE
single lead structure	1.4x0,15 mm
cable sheath Ø	5.3
bending radius cable fixed	53 mm
bending radius cable movable	80 mm
cable diameter	5.3

Contacts 5, cable 5 x 0,25 mm², female angled connector, shielded

