

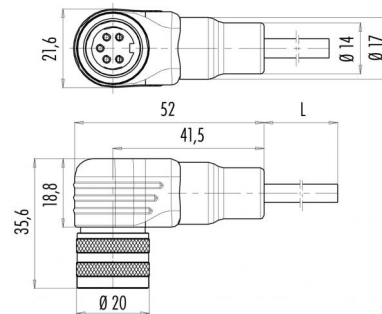
Product Area Female angled cable connector moulded on cable
M16 connectors IP 67 serie 425

Pole 8 DIN
Article number 79 6272 200 08

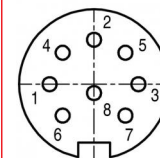
illustration



scale drawing



Contact Arrangement



- 1 weiß
- 2 braun
- 3 grün
- 4 gelb
- 5 grau
- 6 rosa
- 7 blau
- 8 rot

Technical data

Common values

Connector Design	Female angled cable connector
Connector locking system	Screw
Termination	solder, overmoulded on cable
Wire gauge (mm)	0,25 mm ²
Wire gauge (AWG)	24
Cable outlet	-
Upper temperature	+70 °C
Lower temperature	-25 °C

Electrical values

Rated voltage	60 V
Rated impulse voltage	500 V
Pollution degree	I
Overvoltage category	I
Material group	III
Rated current (40 °C)	3 A
Volume resistivity	≤ 3 mΩ
EMV compliance	not shielded
Degree of protection	IP 67
Mechanical operation	>500 mating cycles

Material

Material of contact	CuSn (bronze)
Contact plating	Au (gold)
Material of contact body	PBT (UL 94 V-0)
Material of housing	PUR

Cable data

material housing	PUR
insulation single lead	PVC
single lead structure	32x0,1 mm
cable sheath Ø	5.7
bending radius cable fixed	57 mm
bending radius cable movable	85 mm
cable diameter	5.7

contacts: 8 DIN, cable: 8 x 0,25 mm², female angled connector

