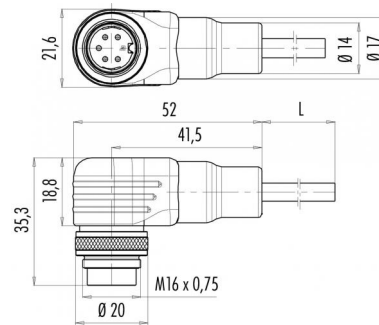


|              |  |           |                     |                         |
|--------------|--|-----------|---------------------|-------------------------|
| Product Area | Male angled cable connector moulded on cable<br>M16 connectors IP 67 | serie 425 | Pole Article number | 8 DIN<br>79 6271 200 08 |
|--------------|--|-----------|---------------------|-------------------------|

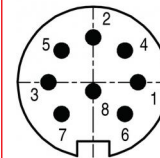
illustration



scale drawing



Contact Arrangement



- 1 weiß
- 2 braun
- 3 grün
- 4 gelb
- 5 grau
- 6 rosa
- 7 blau
- 8 rot

Technical data

Common values

|                          |                              |
|--------------------------|------------------------------|
| Connector Design         | Male angled cable connector  |
| Connector locking system | Screw                        |
| Termination              | solder, overmoulded on cable |
| Wire gauge (mm)          | 0,25 mm <sup>2</sup>         |
| Wire gauge (AWG)         | 24                           |
| Cable outlet             | -                            |
| Upper temperature        | +70 °C                       |
| Lower temperature        | -25 °C                       |

Electrical values

|                       |                    |
|-----------------------|--------------------|
| Rated voltage         | 60 V               |
| Rated impulse voltage | 500 V              |
| Pollution degree      | I                  |
| Overvoltage category  | I                  |
| Material group        | III                |
| Rated current (40°C)  | 3 A                |
| Volume resistivity    | ≤ 3 mΩ             |
| EMV compliance        | not shielded       |
| Degree of protection  | IP 67              |
| Mechanical operation  | >500 mating cycles |

Material

|                          |                 |
|--------------------------|-----------------|
| Material of contact      | CuZn (brass)    |
| Contact plating          | Au (gold)       |
| Material of contact body | PBT (UL 94 V-0) |
| Material of housing      | PUR             |

Cable data

|                              |           |
|------------------------------|-----------|
| material housing             | PUR       |
| insulation single lead       | PVC       |
| single lead structure        | 32x0,1 mm |
| cable sheath Ø               | 5.7       |
| bending radius cable fixed   | 57 mm     |
| bending radius cable movable | 85 mm     |
| cable diameter               | 5.7       |

Contacts 8 DIN , male angled connector,  
cable: 8 x 0,25 mm<sup>2</sup>

