

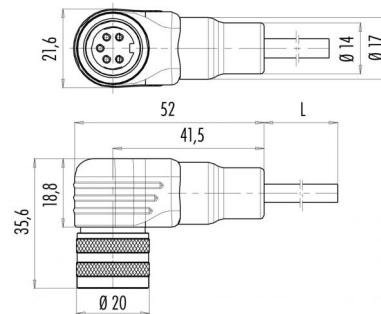
Product Female angled cable connector moulded on cable
Area M16 connectors IP 67 serie 425

Pole 14
Article number 79 6252 200 14

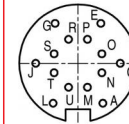
illustration



scale drawing



Contact Arrangement



- A braun 0,5 mm²
- C -
- E schwarz
- G rosa
- J grün
- L blau 0,5 mm²
- M gebrückt mit A
- N -
- O violett
- P weiß
- R rot
- S grau
- T gelb
- U gebrückt mit L

Technical data

Common values

Connector Design	Female angled cable connector
Connector locking system	Screw
Termination	solder, overmoulded on cable
Wire gauge (mm)	0,25/0,5 mm ²
Wire gauge (AWG)	24/20
Cable outlet	-
Upper temperature	+70 °C
Lower temperature	-25 °C

Electrical values

Rated voltage	60 V
Rated impulse voltage	500 V
Pollution degree	I
Overvoltage category	I
Material group	III
Rated current (40 °C)	3 A
Volume resistivity	≤ 3 mΩ
EMV compliance	not shielded
Degree of protection	IP 67
Mechanical operation	>500 mating cycles

Material

Material of contact	CuSn (bronze)
Contact plating	Au (gold)
Material of contact body	PBT (UL 94 V-0)
Material of housing	PUR

Cable data

material housing	PUR
insulation single lead	PVC
single lead structure	32x0,1 63x0,1 mm
cable sheath Ø	8
bending radius cable fixed	80 mm
bending radius cable movable	120 mm
cable diameter	8

Contacts 14, cable 8 x 0,25, 2 x 0,5 mm², female angled connector

