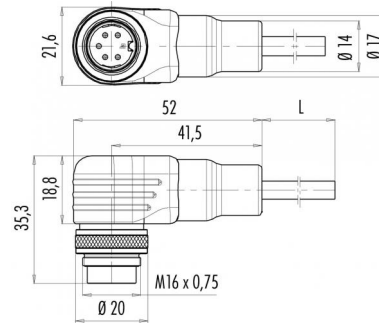


Product Area	Male angled cable connector moulded on cable M16 connectors IP 67	serie 425	Pole Article number	12 79 6229 200 12
--------------	--	-----------	---------------------	----------------------

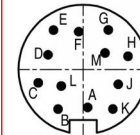
illustration



scale drawing



Contact Arrangement



- A weiß
- B braun
- C grün
- D gelb
- E grau
- F rosa
- G blau
- H rot
- J schwarz
- K violett
- L grau/rosa
- M rot/blau

Technical data

Common values

Connector Design	Male angled cable connector
Connector locking system	Screw
Termination	solder, overmoulded on cable
Wire gauge (mm)	0,25 mm <sup>2</sup>
Wire gauge (AWG)	24
Cable outlet	-
Upper temperature	+70 °C
Lower temperature	-25 °C

Electrical values

Rated voltage	60 V
Rated impulse voltage	500 V
Pollution degree	I
Overvoltage category	I
Material group	III
Rated current (40°C)	3 A
Volume resistivity	≤ 3 mΩ
EMV compliance	not shielded
Degree of protection	IP 67
Mechanical operation	>500 mating cycles

Material

Material of contact	CuZn (brass)
Contact plating	Au (gold)
Material of contact body	PBT (UL 94 V-0)
Material of housing	PUR

Cable data

material housing	PUR
insulation single lead	PVC
single lead structure	14x0,15 mm
cable sheath Ø	7
bending radius cable fixed	70 mm
bending radius cable movable	105 mm
cable diameter	7

Contacts 12 , cable 12 x 0,25 mm<sup>2</sup>, female cable connector

