

Product Connecting cable, Female power connector DIN EN 175301-803 – M12 male connector
straight, PUR 3 x 0,75 mm², wired, LED, recovery diode

Pole 2+PE

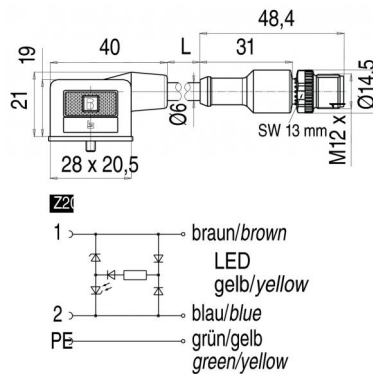
Area Size B serie 220/B

Article number 79 5722 10 03

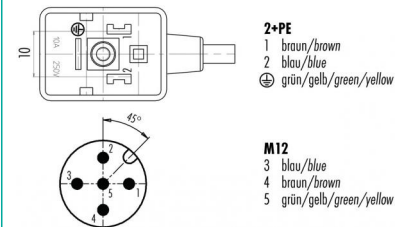
illustration



scale drawing



Contact Arrangement



Technical data

Common values

Connector Design	Connecting cable
Connector locking system	central screw
Termination	IDT connection, overmoulded on cable
Wire gauge (mm)	0,75 mm ²
Wire gauge (AWG)	20
Upper temperature	+85 °C
Lower temperature	-20 °C

Electrical values

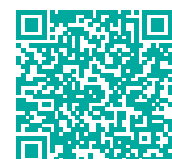
Rated voltage	24 V
Rated impulse voltage	4000 V
Pollution degree	3
Overvoltage category	II
Material group	II
Rated current (40 °C)	4 A
Volume resistivity	≤ 15 mΩ
EMV compliance	not shielded
Degree of protection	IP 67
Mechanical operation	> 50 mating cycles

Material

Material of contact	CuSn (bronze), CuZN (brass)
Contact plating	Sn (tin)/ Au (gold)
Material of contact body	PA
Material of housing	PC

Cable data

material housing	PUR
insulation single lead	PVC
single lead structure	24 x 0,2 Cu
cable sheath Ø	6
conductor resistance	26Ω/Km
temperature range cable movable c from	-5
temperature range cable movable c to	70
temperature range cable fixed c from	-20
temperature range cable fixed c to	70
bending radius cable fixed	30 mm
bending radius cable movable	60 mm
cable diameter	6



Contacts: 2+PE Z22, Connecting cable, Female power connector DIN EN 175301-803 – M12 male connector straight, PUR 3 x 0,75 mm², wired, LED, recovery diode, Cable length 1 m