

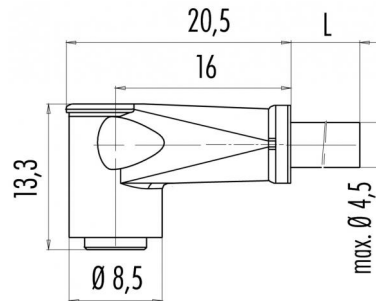
Product female angled connector moulded, snap-in version, 8mm
Area M8 connectors serie 718

Pole 3
Article number 79 3414 12 03

illustration



scale drawing



Technical data

Common values

| | |
|--------------------------|-------------------------------|
| Connector Design | Female angled cable connector |
| Connector locking system | Snap-in locking |
| Termination | crimp, overmoulded on cable |
| Wire gauge (mm) | 0,14 mm ² |
| Wire gauge (AWG) | 26 |
| Upper temperature | +70 °C |
| Lower temperature | -25 °C |

Electrical values

| | |
|-----------------------|--------------------|
| Rated voltage | 60 V |
| Rated impulse voltage | 800 V |
| Pollution degree | 3 |
| Overvoltage category | II |
| Material group | II |
| Rated current (40°C) | 3 A |
| Volume resistivity | ≤ 3 mΩ |
| Degree of protection | IP 65 |
| Mechanical operation | > 50 mating cycles |

Material

| | |
|--------------------------|---------------|
| Material of contact | CuSn (bronze) |
| Contact plating | Au (gold) |
| Material of contact body | PUR |
| Material of housing | PUR |

Cable data

| | |
|--|-------------|
| material housing | PUR |
| insulation single lead | PVC |
| single lead structure | 18 x 0,1 |
| cable sheath Ø | 3 |
| conductor resistance | 148Ω/Km |
| temperature range cable movable c from | -5 |
| temperature range cable movable c to | 70 |
| temperature range cable fixed c from | -15 |
| temperature range cable fixed c to | 70 |
| bending radius cable fixed | min. 5 x D |
| bending radius cable movable | min. 10 x D |

Contacts 3, cable: 2 m, 3 x 0,14 PUR, Male angled connector moulded, snap-in version, 8mm

