

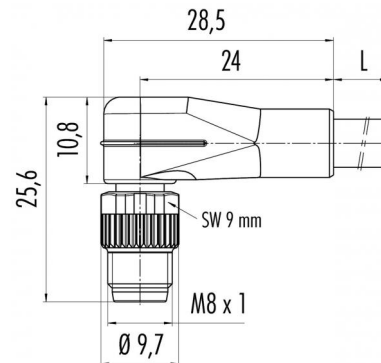
Product Male angled connector moulded, screw version, M8x1  
Area M8 connectors serie 718

Pole 4  
Article number 79 3383 778 04

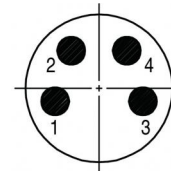
#### illustration



#### scale drawing



#### Contact Arrangement



1 braun/brown  
2 weiß/white  
3 blau/blue  
4 schwarz/black

### Technical data

#### Common values

Connector Design	Male cable connector
Termination	crimp, overmoulded on cable
Wire gauge (mm)	0,25 mm <sup>2</sup>
Wire gauge (AWG)	24
Upper temperature	+85 °C
Lower temperature	-25 °C

#### Electrical values

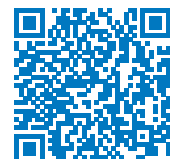
Rated voltage	30 V
Rated impulse voltage	800 V
Pollution degree	3
Overvoltage category	II
Material group	II
Rated current (40 °C)	4 A
Volume resistivity	≤ 3 mΩ
Degree of protection	IP 67
Mechanical operation	>100 mating cycles

#### Material

Material of contact	CuZn (brass)
Contact plating	Au (gold)
Material of contact body	PUR
Material of housing	PUR

#### Cable data

material housing	PUR
insulation single lead	PVC
single lead structure	32 x 0,1
cable sheath Ø	4.5
conductor resistance	79,9Ω/Km
temperature range cable movable c from	-5
temperature range cable movable c to	70
temperature range cable fixed c from	-15
temperature range cable fixed c to	70
bending radius cable fixed	min. 5 x D
bending radius cable movable	min. 10 x D
approval	-



Polzahl: 4, Kabellänge 2 m, Kabel: 4 x 0,25  
PUR, Winkelstecker umspritzt, Schraubversion  
M8 x 1