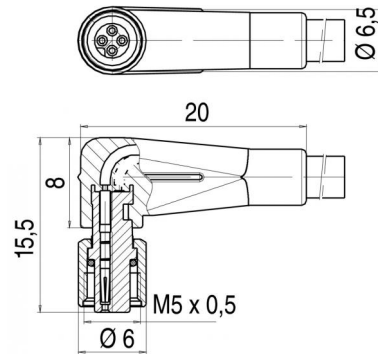


Product Area	Female angled connector moulded, M5 x 0,5 M5 connectors	serie 707	Pole	3
			Article number	79 3104 52 03

illustration



scale drawing



Contact Arrangement

	X	Y	
1	0,63	-0,63	
2	-	-	
3	-0,63	0,63	
4	0,63	0,63	

1 braun/brown
2 nicht kontaktiert/not assembled
3 blau/blue
4 schwarz/black

Technical data

Common values

Connector Design	Female angled cable connector
Connector locking system	Screw
Termination	crimp, overmoulded on cable
Wire gauge (mm)	0,14 mm ²
Wire gauge (AWG)	26
Cable outlet	-
Upper temperature	+80 °C
Lower temperature	-25 °C

Electrical values

Rated voltage	60 V
Rated impulse voltage	800 V
Pollution degree	3
Overvoltage category	II
Material group	I
Rated current (40°C)	1 A
Volume resistivity	≤ 3 mΩ
Degree of protection	IP 67
Mechanical operation	>100 mating cycles

Material

Material of contact	CuSn (bronze)
Contact plating	Au (gold)
Material of contact body	PUR
Material of housing	PUR

Cable data

material housing	PUR
insulation single lead	PVC
single lead structure	18 x 0,1
cable sheath Ø	3.1
conductor resistance	148Ω/Km
temperature range cable movable c from	-5
temperature range cable movable c to	80
temperature range cable fixed c from	-25
temperature range cable fixed c to	80

Contacts 3: cable 2 m, 3 x 0,14 mm² PUR,
Female angled connector moulded, M5 x 0,5

