

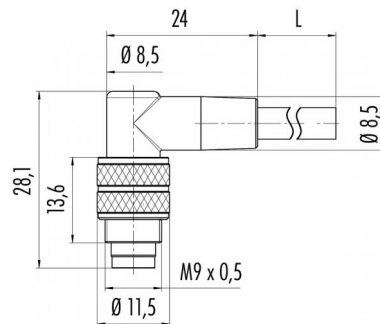
Product Area Male angled connector overmoulded, unshielded  
M9 connectors IP 67 serie 702

Pole 5  
Article number 79 1455 275 05

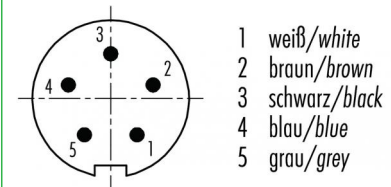
illustration



scale drawing



Contact Arrangement



Technical data

Common values

|                   |                             |
|-------------------|-----------------------------|
| Connector Design  | Male angled cable connector |
| Termination       | moulded on cable            |
| Wire gauge (mm)   | 0,25 mm <sup>2</sup>        |
| Wire gauge (AWG)  | 24                          |
| Cable outlet      | -                           |
| Upper temperature | +70 °C                      |
| Lower temperature | -25 °C                      |

Electrical values

|                       |                    |
|-----------------------|--------------------|
| Rated voltage         | 125 V              |
| Rated impulse voltage | 1500 V             |
| Pollution degree      | I                  |
| Overvoltage category  | II                 |
| Material group        | III                |
| Rated current (40 °C) | 3 A                |
| Volume resistivity    | ≤ 3 mΩ             |
| Degree of protection  | IP 67              |
| Mechanical operation  | >500 mating cycles |

Material

|                          |                 |
|--------------------------|-----------------|
| Material of contact      | CuZn (brass)    |
| Contact plating          | Au (gold)       |
| Material of contact body | PBT (UL 94 V-0) |
| Material of housing      | PUR             |

Cable data

|  |             |
|--|-------------|
| material housing                       | PUR         |
| insulation single lead                 | PVC         |
| single lead structure                  | 32 x 0,1 mm |
| cable sheath Ø                         | 5           |
| conductor resistance                   | 72Ω/Km      |
| temperature range cable movable c from | -5          |
| temperature range cable movable c to   | 70          |
| temperature range cable fixed c from   | -25         |
| temperature range cable fixed c to     | 70          |
| bending radius cable fixed             | Min. 25 mm  |
| bending radius cable movable           | Min. 50 mm  |

Number of pins: 5, male angled connector overmoulded, unshielded, cable length 5 m

