

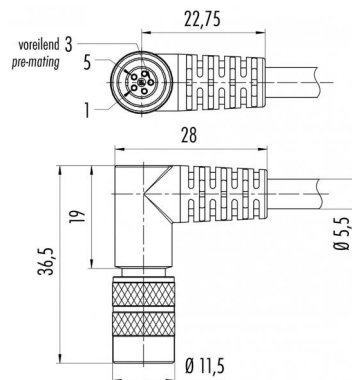
Product Area Female angled connector, moulded, shieldable
M9 connectors IP 67 serie 702

Pole 7
Article number 79 1422 72 07

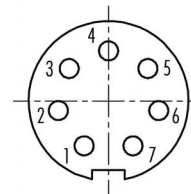
illustration



scale drawing



Contact Arrangement



- 1 weiß/white
- 2 braun/brown
- 3 grün/green
- 4 gelb/yellow
- 5 grau/grey
- 6 rosa/pink
- 7 blau/blue

Technical data

Common values

| | |
|--------------------------|-------------------------------|
| Connector Design | Female angled cable connector |
| Connector locking system | Screw |
| Termination | moulded on cable |
| Wire gauge (mm) | 0,14 mm ² |
| Wire gauge (AWG) | 26 |
| Cable outlet | - |
| Upper temperature | +70 °C |
| Lower temperature | -25 °C |

Electrical values

| | |
|-----------------------|--------------------|
| Rated voltage | 125 V |
| Rated impulse voltage | 1500 V |
| Pollution degree | I |
| Overvoltage category | II |
| Material group | III |
| Rated current (40°C) | 1 A |
| Volume resistivity | ≤ 3 mΩ |
| EMV compliance | shielded |
| Degree of protection | IP 67 |
| Mechanical operation | >500 mating cycles |

Material

| | |
|--------------------------|-----------------|
| Material of contact | CuSn (bronze) |
| Contact plating | Au (gold) |
| Material of contact body | PBT (UL 94 V-0) |
| Material of housing | PUR |

Cable data

| | |
|------------------------------|--------------|
| material housing | PUR |
| insulation single lead | PVC |
| single lead structure | 18 x 0,10 mm |
| cable sheath Ø | 5.3 |
| conductor resistance | 75Ω/Km |
| bending radius cable fixed | Min. 53 mm |
| bending radius cable movable | Min. 80 mm |
| cable diameter | 5.3 |

Contacts 7, Female angled connector, moulded, shielded, Cable length 2 m

