

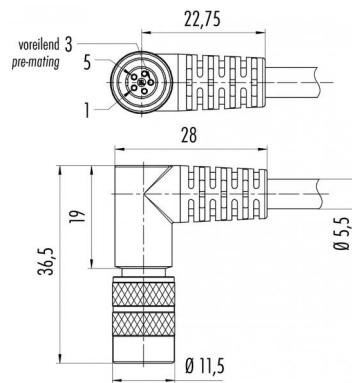
Product Area Female angled connector, moulded, shieldable  
M9 connectors IP 67 serie 702

Pole 5  
Article number 79 1414 72 05

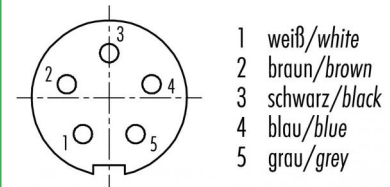
illustration



scale drawing



Contact Arrangement



Technical data

Common values

|                          |                               |
|--------------------------|-------------------------------|
| Connector Design         | Female angled cable connector |
| Connector locking system | Screw                         |
| Termination              | moulded on cable              |
| Wire gauge (mm)          | 0,25 mm <sup>2</sup>          |
| Wire gauge (AWG)         | 24                            |
| Cable outlet             | -                             |
| Upper temperature        | +70 °C                        |
| Lower temperature        | -25 °C                        |

Electrical values

|                       |                    |
|-----------------------|--------------------|
| Rated voltage         | 125 V              |
| Rated impulse voltage | 1500 V             |
| Pollution degree      | I                  |
| Overvoltage category  | II                 |
| Material group        | III                |
| Rated current (40°C)  | 3 A                |
| Volume resistivity    | ≤ 3 mΩ             |
| EMV compliance        | shielded           |
| Degree of protection  | IP 67              |
| Mechanical operation  | >500 mating cycles |

Material

|                          |                 |
|--------------------------|-----------------|
| Material of contact      | CuSn (bronze)   |
| Contact plating          | Au (gold)       |
| Material of contact body | PBT (UL 94 V-0) |
| Material of housing      | PUR             |

Cable data

|                              |               |
|------------------------------|---------------|
| material housing             | PUR           |
| insulation single lead       | PVC           |
| single lead structure        | 1,4 x 0,15 mm |
| cable sheath Ø               | 5.3           |
| conductor resistance         | 75Ω/Km        |
| bending radius cable fixed   | Min. 53 mm    |
| bending radius cable movable | Min. 80 mm    |
| cable diameter               | 5.3           |

Contacts 5, Female angled connector, moulded, shielded, Cable length 2 m

