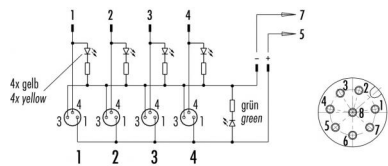


| | | | |
|---------|---|----------------|---------------|
| Product | Pluggable 4-way interface box with 8/6 pol. M12 connector, equipment-on LED (green) and functional indicator (yellow) | Pole | 3 |
| Area | Distributors for sensors and actors | Article number | 72 6324 00 04 |
| | serie 772 | | |

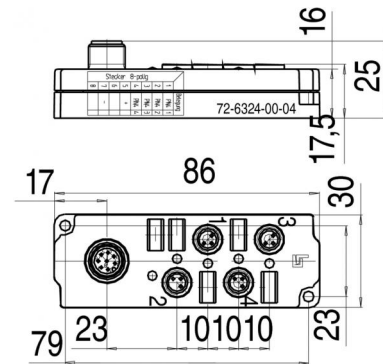
Belegungspläne



illustration



scale drawing



Technical data

Common values

| | |
|-------------------|---|
| Connector Design | Distributor |
| Termination | pluggable M12 |
| Wire gauge (mm) | E/A's 0,25, supply unit 2x0,5 mm ² |
| Wire gauge (AWG) | E/A's 24, supply unit 22 |
| Upper temperature | +90 °C |
| Lower temperature | -30 °C |

Material

| | |
|--------------------------|--------------|
| Material of contact | CuZn (brass) |
| Contact plating | Au (gold) |
| Material of contact body | TPU |
| Material of housing | PA |

Electrical values

| | |
|----------------------|-----------------------------|
| Pollution degree | 3 |
| Rated current (40°C) | 2 A (per contact), 6 A max. |
| Volume resistivity | ≤ 3 mΩ |
| Degree of protection | IP 67 |
| Mechanical operation | ≥100 mating cycles |

Cable data

| | |
|------------------------------|---|
| insulation single lead | - |
| single lead structure | - |
| bending radius cable fixed | - |
| bending radius cable movable | - |

Contacts 3: Pluggable 4-way interface box with 8/6 pol. M12 connector, equipment-on LED (green) and functional indicator (yellow)

