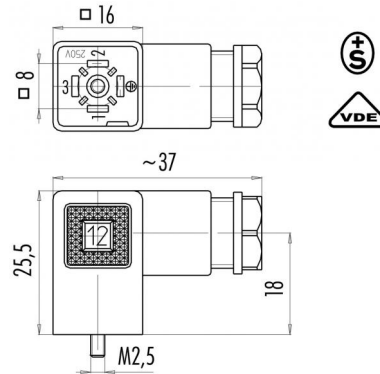


Product Area	Female power connector DIN EN 175301-803, metric thread, M16, Cable outlet 4 - 6 mm Size C serie 230/C	Pole	2+PE
		Article number	43 1900 004 03

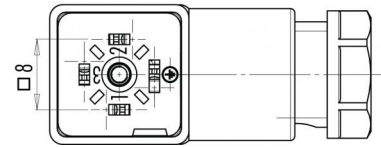
illustration



scale drawing



Contact Arrangement



Technical data

Common values

Connector Design	female connector
Connector locking system	central screw
Termination	screw
Wire gauge (mm)	max. 0,75 mm ²
Wire gauge (AWG)	max. 18
Upper temperature	+120 °C
Lower temperature	-20 °C

Material

Material of contact	CuSn (bronze)
Contact plating	Ni (nickel)
Material of contact body	PA (UL 94 HB)
Material of housing	PA (UL 94 HB)

Electrical values

Rated voltage	250 V
Rated impulse voltage	800 V
Pollution degree	3
Overvoltage category	III
Material group	III
Rated current (40°C)	6 A
Volume resistivity	≤ 15 mΩ
Degree of protection	IP 65
Mechanical operation	> 50 mating cycles

Cable data

material housing	-
insulation single lead	-
single lead structure	-
conductor resistance	-
bending radius cable fixed	-
bending radius cable movable	-

Contacts: 2+PE, Female power connector DIN EN 175301-803, metric thread, M16, Cable outlet 4 - 6 mm

