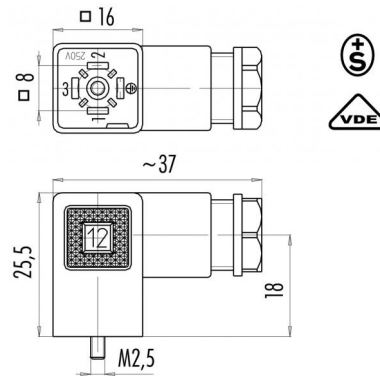


Product Area	Female power connector DIN EN 175301-803, Cable outlet 4 – 6 mm Size C serie 230/C	Pole	2+PE
		Article number	43 1900 000 03

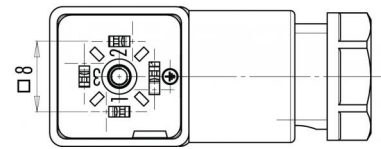
illustration



scale drawing



Contact Arrangement



Technical data

Common values

Connector Design	female connector
Connector locking system	central screw
Termination	screw
Wire gauge (mm)	max. 0,75 mm ²
Wire gauge (AWG)	max. 18
Cable outlet	4 - 6 mm
Upper temperature	+120 °C
Lower temperature	-20 °C

Electrical values

Rated voltage	250 V
Rated impulse voltage	800 V
Pollution degree	3
Overvoltage category	III
Material group	III
Rated current (40°C)	6 A
Volume resistivity	≤ 15 mΩ
EMV compliance	not shielded
Degree of protection	IP 65
Mechanical operation	> 50 mating cycles

Material

Material of contact	CuSn (bronze)
Contact plating	Ni (nickel)
Material of contact body	PA (UL 94 HB)
Material of housing	PA (UL 94 HB)

Cable data

material housing	-
insulation single lead	-
single lead structure	-
conductor resistance	-
bending radius cable fixed	-
bending radius cable movable	-

Contacts: 2+PE, Female power connector DIN EN 175301-803, Cable outlet 4 – 6 mm

