

Product Male power connector DIN EN 175301-803, rectangular, 4 mounting holes, with UL approval, SEV

Pole 2+PE

Area Size A

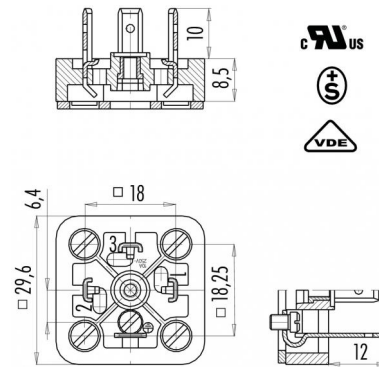
serie 210/A

Article number 43 1713 000 03

illustration



scale drawing



Technical data

Common values

| | |
|--------------------------|----------------------|
| Connector Design | Male Connector |
| Connector locking system | central screw |
| Termination | solder |
| Wire gauge (mm) | 1,00 mm ² |
| Wire gauge (AWG) | 18 |
| Upper temperature | +100 °C |
| Lower temperature | -20 °C |

Electrical values

| | |
|-----------------------|--------------------|
| Rated voltage | 250 V |
| Rated impulse voltage | 4000 V |
| Pollution degree | 3 |
| Overvoltage category | III |
| Material group | III |
| Rated current (40°C) | 10 A |
| Volume resistivity | ≤ 15 mΩ |
| EMV compliance | not shielded |
| Degree of protection | IP 65 |
| Mechanical operation | > 50 mating cycles |

Material

| | |
|--------------------------|---------------|
| Material of contact | CuZn (brass) |
| Contact plating | Sn (tin) |
| Material of contact body | PA (UL 94 HB) |
| Material of housing | - |

Cable data

| | |
|------------------------------|---|
| material housing | - |
| insulation single lead | - |
| single lead structure | - |
| conductor resistance | - |
| bending radius cable fixed | - |
| bending radius cable movable | - |

Contacts: 2+PE, Male power connector DIN EN 175301-803, rectangular, 4 mounting holes, with UL approval, SEV

