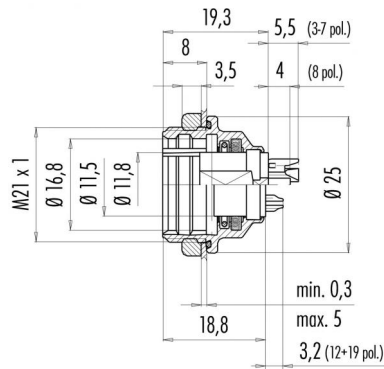


Product Area	Female socket, front fastened, IP 67, shielded Push-Pull connectors IP 67	serie 440	Pole Article number	19 09 4844 81 19
--------------	--	-----------	---------------------	---------------------

illustration



scale drawing



You can find the item description and assembly instruction on the next page.

Technical data

Common values

Connector Design	Female socket
Connector locking system	Push-Pull locking
Termination	solder
Wire gauge (mm)	0,25 mm ²
Wire gauge (AWG)	24
Cable outlet	-
Upper temperature	+85 °C
Lower temperature	-40 °C

Material

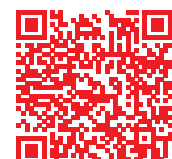
Material of contact	CuSn (bronze)
Contact plating	Au (gold)
Material of contact body	PBT (UL 94 V-0)
Material of housing	CUZn (brass nickel plated)

Cable data

Contacts 19, female socket IP 67, front fastened, shielded

Electrical values

Rated voltage	60 V
Rated impulse voltage	500 V
Pollution degree	I
Overvoltage category	I
Material group	III
Rated current (40°C)	3 A
Volume resistivity	≤ 3 mΩ
EMV compliance	shielded
Degree of protection	IP 67
Mechanical operation	>1000 mating cycles

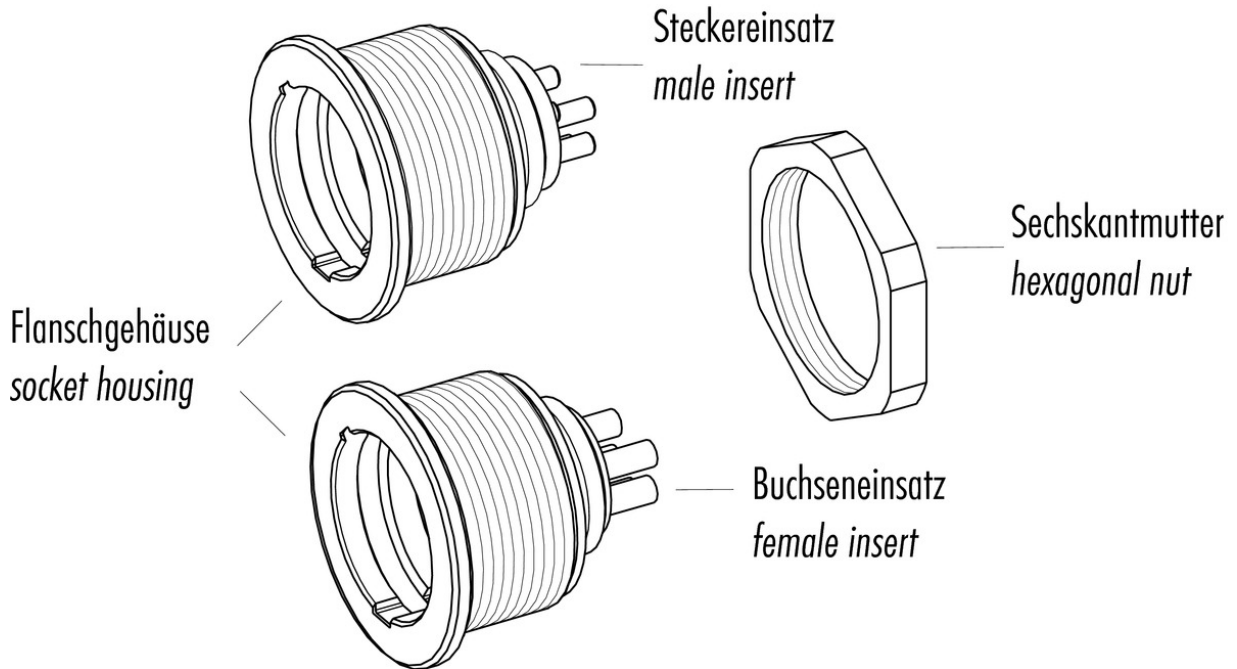


Product Area Female socket, front fastened, IP 67, shielded Push-Pull connectors IP 67 serie 440

Pole 19
Article number 09 4844 81 19

Date: 2014-07-20 - Page 2 of 2

Item description



Installation instructions / Mounting cutout

