

Product Female socket IP 67, shielded
Area Push-Pull connectors IP 67

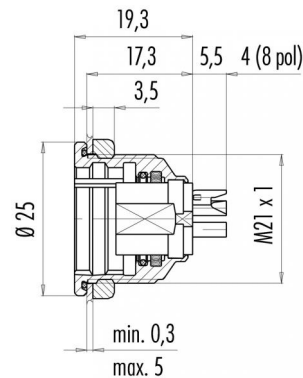
serie 440

Pole 14
Article number 09 4840 00 14

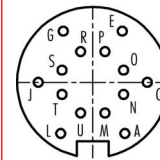
illustration



scale drawing



Contact Arrangement



| | X | Y |
|---|-------|-------|
| A | 2,50 | -4,00 |
| C | 4,25 | 0,00 |
| E | 2,30 | 4,00 |
| G | -2,30 | 4,00 |
| J | -4,25 | 0,00 |
| L | -2,50 | 4,00 |
| M | 0,95 | -2,40 |
| N | 2,40 | -0,95 |
| O | 2,40 | 0,95 |
| P | 0,95 | 2,40 |
| R | -0,95 | 2,40 |
| S | -2,40 | 0,95 |
| T | -2,40 | -0,95 |
| U | -0,95 | -2,40 |

You can find the item description and assembly instruction on the next page.

Technical data

Common values

| | |
|--------------------------|----------------------|
| Connector Design | Female socket |
| Connector locking system | Push-Pull locking |
| Termination | solder |
| Wire gauge (mm) | 0,25 mm ² |
| Wire gauge (AWG) | 24 |
| Cable outlet | - |
| Upper temperature | +85 °C |
| Lower temperature | -40 °C |

Material

| | |
|--------------------------|----------------------------|
| Material of contact | CuSn (bronze) |
| Contact plating | Au (gold) |
| Material of contact body | PBT (UL 94 V-0) |
| Material of housing | CUZn (brass nickel plated) |

Cable data

Contacts 14, female socket IP 67, shielded

Electrical values

| | |
|-----------------------|---------------------|
| Rated voltage | 60 V |
| Rated impulse voltage | 500 V |
| Pollution degree | 1 |
| Overvoltage category | I |
| Material group | III |
| Rated current (40°C) | 3 A |
| Volume resistivity | ≤ 3 mΩ |
| EMV compliance | shielded |
| Degree of protection | IP 67 |
| Mechanical operation | >1000 mating cycles |



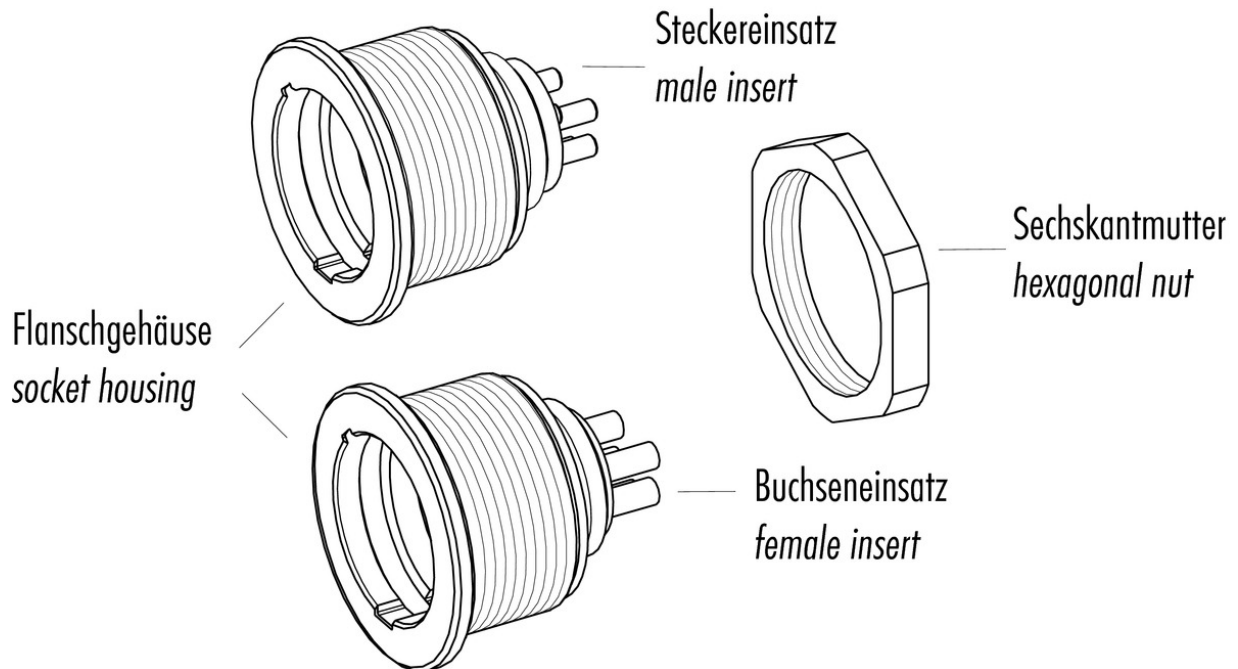
Product Area Female socket IP 67, shielded
Push-Pull connectors IP 67

serie 440

Pole 14
Article number 09 4840 00 14

Date: 2014-07-20 - Page 2 of 2

Item description



Installation instructions / Mounting cutout

