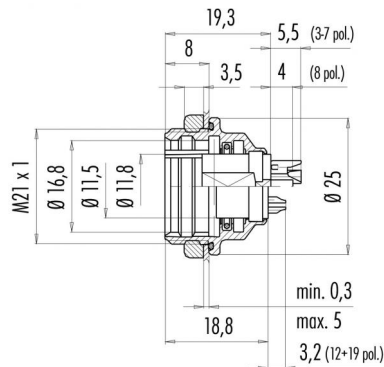


|              |  |           |                     |                     |
|--------------|--|-----------|---------------------|---------------------|
| Product Area | Female socket, front fastened, IP 67<br>Push-Pull connectors IP 67 | serie 440 | Pole Article number | 12<br>09 4836 80 12 |
|--------------|--|-----------|---------------------|---------------------|

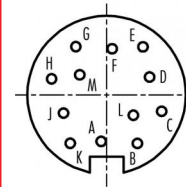
illustration



scale drawing



Contact Arrangement



|   | X     | Y     |
|---|-------|-------|
| A | -0,41 | -3,45 |
| B | 2,29  | -3,61 |
| C | 4,10  | -1,21 |
| D | 3,20  | 1,34  |
| E | 2,71  | 3,59  |
| F | 0,41  | 3,45  |
| G | -2,29 | 3,61  |
| H | -4,10 | 1,21  |
| J | -3,20 | -1,34 |
| K | -2,71 | -3,59 |
| L | -2,00 | -1,51 |
| M | -2,00 | 1,51  |

You can find the item description and assembly instruction on the next page.

Technical data

Common values

|                          |                      |
|--------------------------|----------------------|
| Connector Design         | Female socket        |
| Connector locking system | Push-Pull locking    |
| Termination              | solder               |
| Wire gauge (mm)          | 0,25 mm <sup>2</sup> |
| Wire gauge (AWG)         | 24                   |
| Cable outlet             | -                    |
| Upper temperature        | +85 °C               |
| Lower temperature        | -40 °C               |

Material

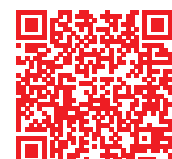
|                          |                            |
|--------------------------|----------------------------|
| Material of contact      | CuSn (bronze)              |
| Contact plating          | Au (gold)                  |
| Material of contact body | PBT (UL 94 V-0)            |
| Material of housing      | CUZn (brass nickel plated) |

Cable data

Contacts 12, female socket IP 67, front fastened

Electrical values

|                       |                     |
|-----------------------|---------------------|
| Rated voltage         | 60 V                |
| Rated impulse voltage | 500 V               |
| Pollution degree      | I                   |
| Overvoltage category  | I                   |
| Material group        | III                 |
| Rated current (40°C)  | 3 A                 |
| Volume resistivity    | ≤ 3 mΩ              |
| EMV compliance        | not shielded        |
| Degree of protection  | IP 67               |
| Mechanical operation  | >1000 mating cycles |



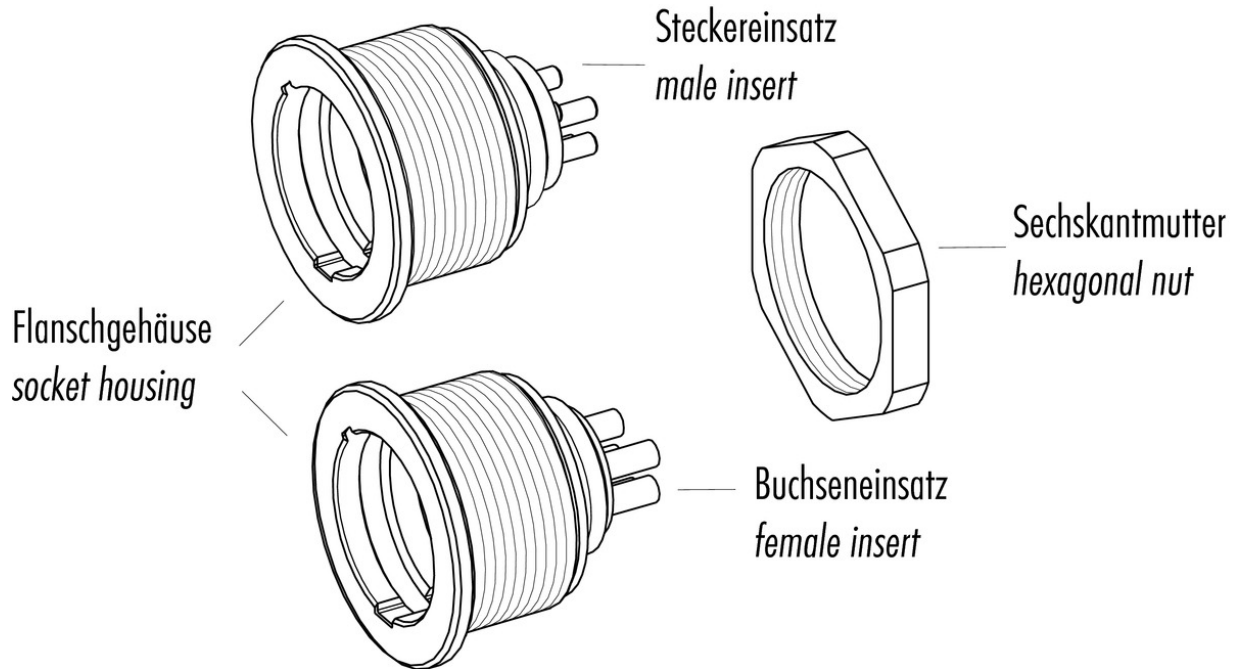
Product Area Female socket, front fastened, IP 67  
Push-Pull connectors IP 67

serie 440

Pole 12  
Article number 09 4836 80 12

Date: 2014-07-20 - Page 2 of 2

Item description



Installation instructions / Mounting cutout

