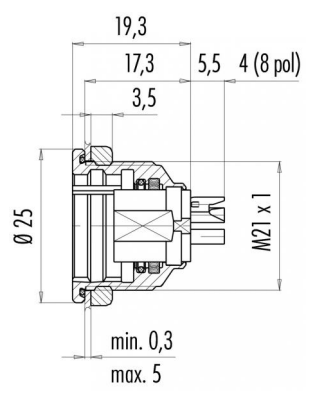


| | | | | |
|--------------|---|-----------|---------------------|---------------------|
| Product Area | Female socket IP 67, shielded Push-Pull connectors IP 67 | serie 440 | Pole Article number | 12 09 4836 00 12 |
|--------------|---|-----------|---------------------|---------------------|

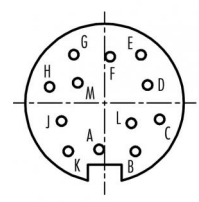
illustration



scale drawing



Contact Arrangement



| | X | Y |
|---|-------|-------|
| A | -0,41 | -3,45 |
| B | 2,29 | -3,61 |
| C | 4,10 | -1,21 |
| D | 3,20 | 1,34 |
| E | 2,71 | 3,59 |
| F | 0,41 | 3,45 |
| G | -2,29 | 3,61 |
| H | -4,10 | 1,21 |
| J | -3,20 | -1,34 |
| K | -2,71 | -3,59 |
| L | -2,00 | -1,51 |
| M | -2,00 | 1,51 |

You can find the item description and assembly instruction on the next page.

Technical data

Common values

| | |
|--------------------------|----------------------|
| Connector Design | Female socket |
| Connector locking system | Push-Pull locking |
| Termination | solder |
| Wire gauge (mm) | 0,25 mm ² |
| Wire gauge (AWG) | 24 |
| Cable outlet | - |
| Upper temperature | +85 °C |
| Lower temperature | -40 °C |

Material

| | |
|--------------------------|----------------------------|
| Material of contact | CuSn (bronze) |
| Contact plating | Au (gold) |
| Material of contact body | PBT (UL 94 V-0) |
| Material of housing | CUZn (brass nickel plated) |

Cable data

Contacts 12, female socket IP 67, shielded

Electrical values

| | |
|-----------------------|---------------------|
| Rated voltage | 60 V |
| Rated impulse voltage | 500 V |
| Pollution degree | I |
| Overvoltage category | I |
| Material group | III |
| Rated current (40°C) | 3 A |
| Volume resistivity | ≤ 3 mΩ |
| EMV compliance | shielded |
| Degree of protection | IP 67 |
| Mechanical operation | >1000 mating cycles |



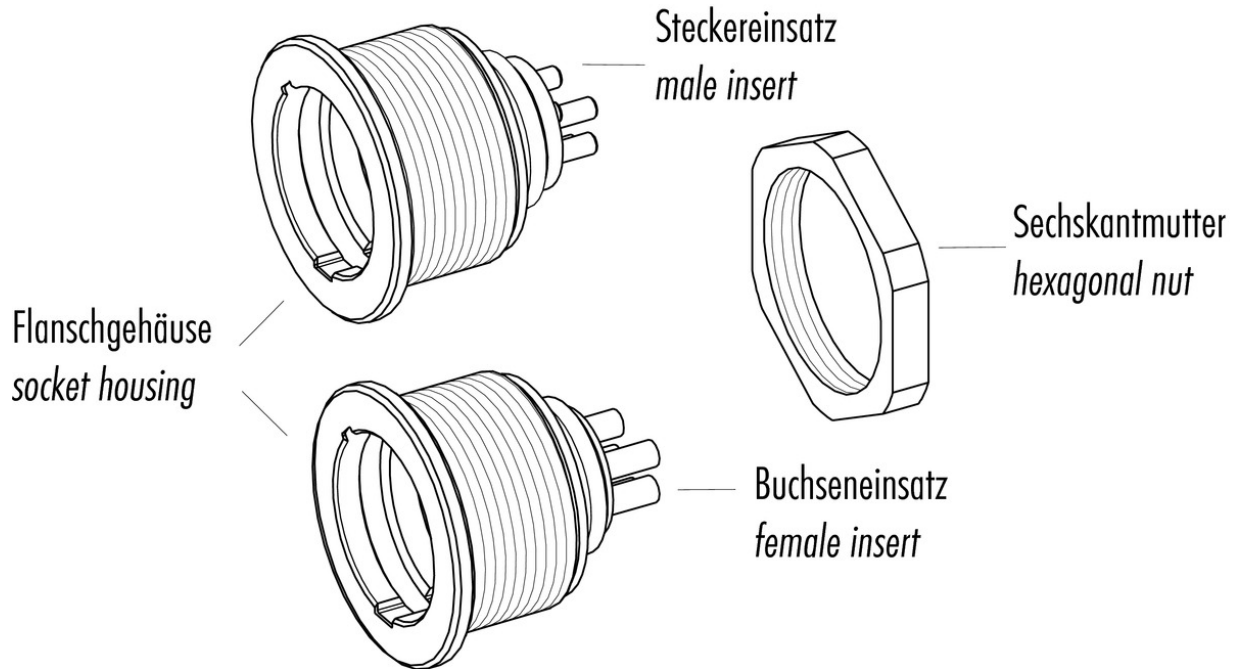
Product Area Female socket IP 67, shielded
 Push-Pull connectors IP 67

serie 440

Pole 12
 Article number 09 4836 00 12

Date: 2014-07-20 - Page 2 of 2

Item description



Installation instructions / Mounting cutout

