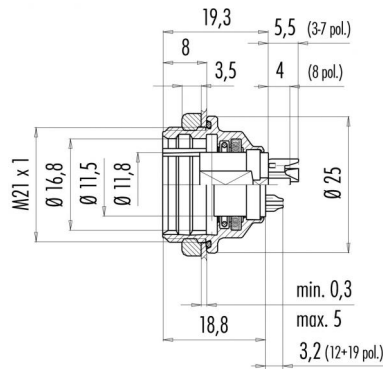


|              |  |           |                     |                    |
|--------------|--|-----------|---------------------|--------------------|
| Product Area | Female socket, front fastened, IP 67, shielded<br>Push-Pull connectors IP 67 | serie 440 | Pole Article number | 5<br>09 4816 81 05 |
|--------------|--|-----------|---------------------|--------------------|

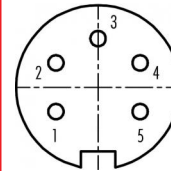
illustration



scale drawing



Contact Arrangement



|   | X     | Y     |
|---|-------|-------|
| 1 | -3,03 | -1,75 |
| 2 | -3,03 | 1,75  |
| 3 | 0,00  | 3,50  |
| 4 | 3,03  | 1,75  |
| 5 | 3,03  | -1,75 |

You can find the item description and assembly instruction on the next page.

Technical data

Common values

|                          |                      |
|--------------------------|----------------------|
| Connector Design         | Female socket        |
| Connector locking system | Push-Pull locking    |
| Termination              | solder               |
| Wire gauge (mm)          | 0,75 mm <sup>2</sup> |
| Wire gauge (AWG)         | 20                   |
| Cable outlet             | -                    |
| Upper temperature        | +85 °C               |
| Lower temperature        | -40 °C               |

Material

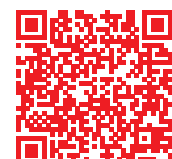
|                          |                            |
|--------------------------|----------------------------|
| Material of contact      | CuSn (bronze)              |
| Contact plating          | Au (gold)                  |
| Material of contact body | PBT (UL 94 V-0)            |
| Material of housing      | CUZn (brass nickel plated) |

Cable data

Contacts 5, female socket IP 67, front fastened, shielded

Electrical values

|                       |                     |
|-----------------------|---------------------|
| Rated voltage         | 250 V               |
| Rated impulse voltage | 1500 V              |
| Pollution degree      | I                   |
| Overvoltage category  | I                   |
| Material group        | III                 |
| Rated current (40°C)  | 6 A                 |
| Volume resistivity    | ≤ 3 mΩ              |
| EMV compliance        | shielded            |
| Degree of protection  | IP 67               |
| Mechanical operation  | >1000 mating cycles |

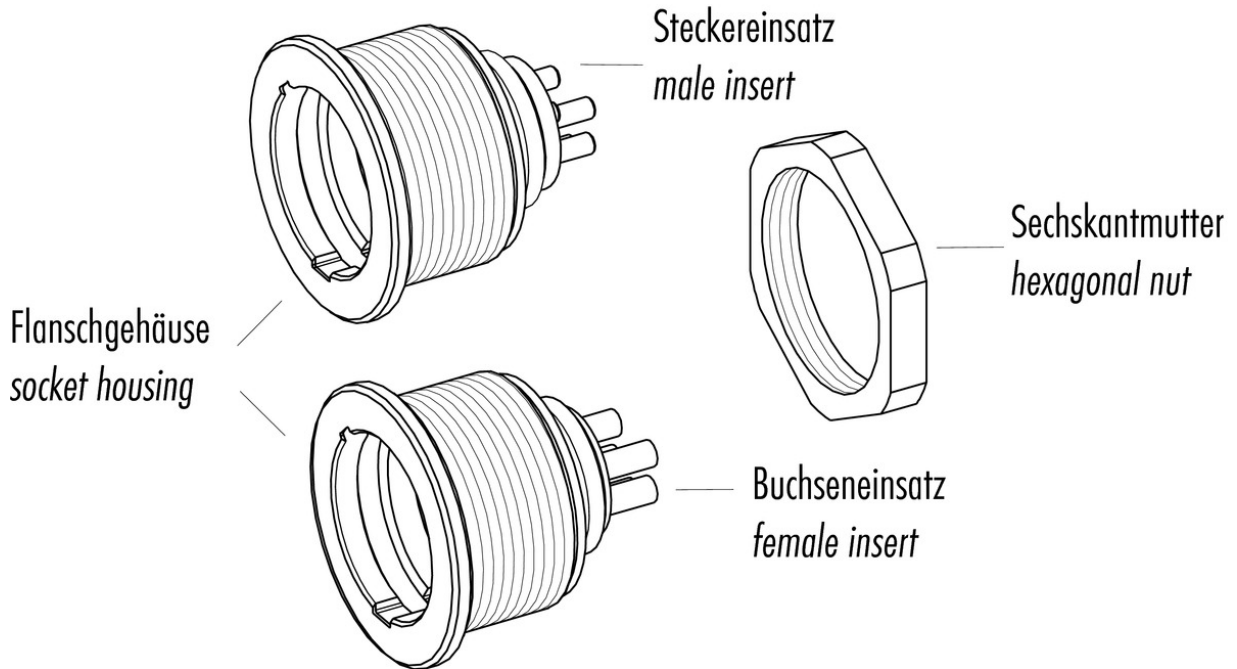


Product Area Female socket, front fastened, IP 67, shielded Push-Pull connectors IP 67 serie 440

Pole 5  
Article number 09 4816 81 05

Date: 2014-07-20 - Page 2 of 2

Item description



Installation instructions / Mounting cutout

