

Product Flanschdose mit Litzen, Frontmontage
Area M8 connectors

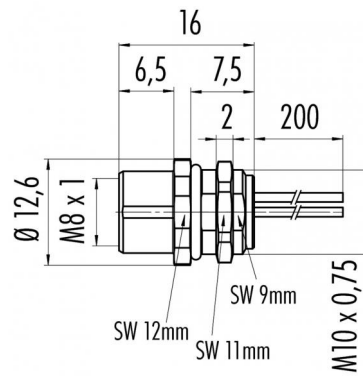
serie 768/718

Pole 8
Article number 09 3426 00 08

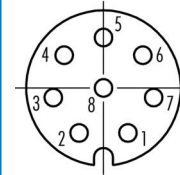
illustration



scale drawing



Contact Arrangement



- 1 weiß/white
- 2 braun/brown
- 3 grün/green
- 4 gelb/yellow
- 5 grau/grey
- 6 rosa/pink
- 7 blau/blue
- 8 rot/red

You can find the assembly instruction on the next page.

Technical data

Common values

| | |
|-------------------|----------------------|
| Connector Design | Female socket |
| Wire gauge (mm) | 0,14 mm ² |
| Wire gauge (AWG) | 26 |
| Upper temperature | +85 °C |
| Lower temperature | -40 °C |

Material

| | |
|--------------------------|--------------------------------|
| Material of contact body | PA (UL 94 HB) |
| Material of housing | zinc diecasting, nickel plated |

Cable data

Polzahl: 8, Flanschdose mit Litze,
Befestigungsgewinde M10 x 0,75

Electrical values

| | |
|-----------------------|--------------------|
| Rated voltage | 30 V |
| Rated impulse voltage | 800 V |
| Pollution degree | 3 |
| Overvoltage category | II |
| Material group | II |
| Rated current (40°C) | 1,5 A |
| Volume resistivity | ≤ 3 mΩ |
| Degree of protection | IP 67 |
| Mechanical operation | >100 mating cycles |



Product
Area

Flanschdose mit Litzen, Frontmontage
M8 connectors

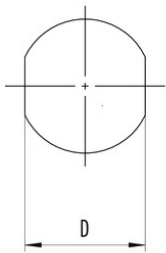
serie 768/718

Pole
Article number

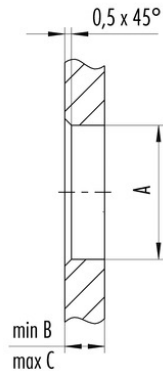
8
09 3426 00 08

Installation instructions / Mounting cutout

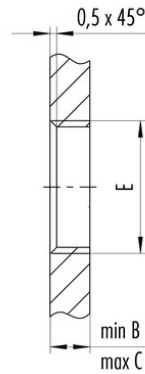
Mit Fläche als Verdrehenschutz
With flats as anti-rotation device



Mit Durchgangsbohrung
With bore hole



Mit Gewinde, einschraubbar
With thread to screw in



| Gewinde E/thread E | A | B | C | D |
|--------------------|------|-----|-----|-----|
| M8 x 0,5 | 8,1 | 2,5 | 4,5 | 7,1 |
| M10 x 0,75 | 10,1 | 2,5 | 5,0 | 9,1 |

Anzugsdrehmoment/Tightening moment 1 Nm