

Product Area Flanschdose mit Litzen, Frontmontage
M8 connectors

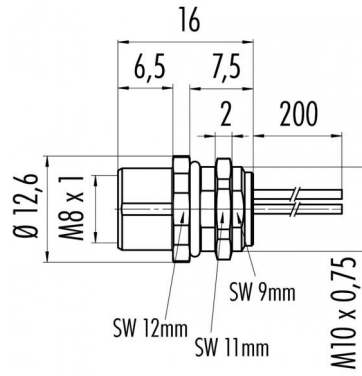
serie 768/718

Pole 3
Article number 09 3418 00 03

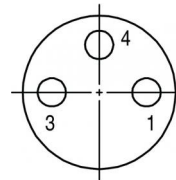
illustration



scale drawing



Contact Arrangement



- 1 braun/brown
- 3 blau/blue
- 4 schwarz/blac

You can find the assembly instruction on the next page.

Technical data

Common values

| | |
|-------------------|----------------------|
| Connector Design | Female socket |
| Termination | Single leads 0.25 |
| Wire gauge (mm) | 0,25 mm ² |
| Wire gauge (AWG) | 24 |
| Upper temperature | +85 °C |
| Lower temperature | -40 °C |

Material

| | |
|--------------------------|--------------------------------|
| Material of contact | CuSn (bronze) |
| Contact plating | Au (gold) |
| Material of contact body | PA (UL 94 HB) |
| Material of housing | zinc diecasting, nickel plated |

Cable data

Number of pins: 3, flange socket with single leads

Electrical values

| | |
|-----------------------|--------------------|
| Rated voltage | 60 V |
| Rated impulse voltage | 800 V |
| Pollution degree | 3 |
| Overvoltage category | II |
| Material group | II |
| Rated current (40°C) | 4 A |
| Volume resistivity | ≤ 3 mΩ |
| Degree of protection | IP 67 |
| Mechanical operation | >100 mating cycles |



Product
Area

Flanschdose mit Litzen, Frontmontage
M8 connectors

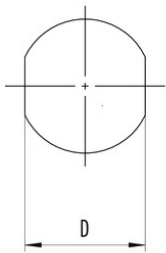
serie 768/718

Pole
Article number

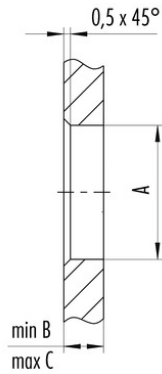
3
09 3418 00 03

Installation instructions / Mounting cutout

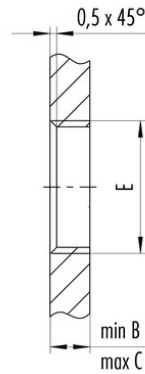
Mit Fläche als Verdrehenschutz
With flats as anti-rotation device



Mit Durchgangsbohrung
With bore hole



Mit Gewinde, einschraubbar
With thread to screw in



| Gewinde E/thread E | A | B | C | D |
|--------------------|------|-----|-----|-----|
| M8 x 0,5 | 8,1 | 2,5 | 4,5 | 7,1 |
| M10 x 0,75 | 10,1 | 2,5 | 5,0 | 9,1 |

Anzugsdrehmoment/Tightening moment 1 Nm