

Product Area

Male receptacle for M8 tube
M8 connectors

serie 768/718

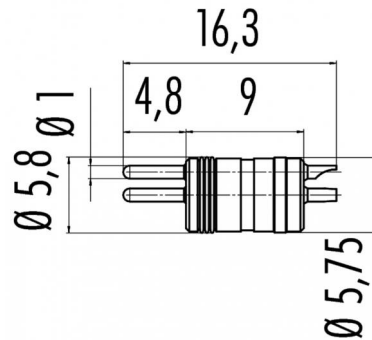
Pole
Article number

3
09 3411 70 03

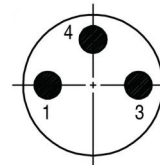
illustration



scale drawing



Contact Arrangement



	X	Y
1	-1,75	0,00
2	-	-
3	1,75	0,00
4	0,00	1,75

Technical data

Common values

Connector Design	Male socket
Connector locking system	Screw
Termination	solder
Wire gauge (mm)	0,25 mm ²
Wire gauge (AWG)	24
Upper temperature	+85 °C
Lower temperature	-40 °C

Material

Material of contact	CuZn (brass)
Contact plating	Au (gold)
Material of contact body	PA (UL 94 HB)
Material of housing	CUZn (brass nickel plated)

Cable data

Electrical values

Rated voltage	60 V
Rated impulse voltage	800 V
Pollution degree	3
Overvoltage category	II
Material group	II
Rated current (40°C)	4 A
Volume resistivity	≤ 3 mΩ
Degree of protection	IP 67
Mechanical operation	>100 mating cycles

Contacts 3: Male receptacle for M8 tube

