

Product  
Area

Male receptacle for M8 tube  
M8 connectors

serie 768/718

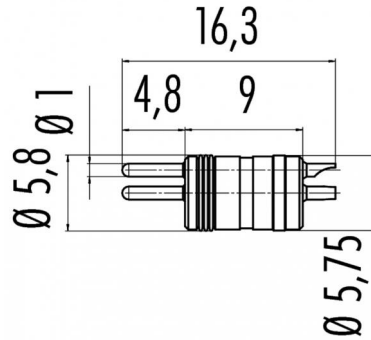
Pole  
Article number

4  
09 3389 70 04

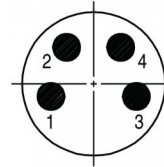
illustration



scale drawing



Contact Arrangement



	X	Y
1	-1,70	-0,50
2	-1,08	1,45
3	1,70	-0,50
4	1,08	1,45

Technical data

Common values

Connector Design	Male socket
Connector locking system	Screw
Termination	solder
Wire gauge (mm)	0,25 mm <sup>2</sup>
Wire gauge (AWG)	24
Upper temperature	+85 °C
Lower temperature	-40 °C

Material

Material of contact	CuZn (brass)
Contact plating	Au (gold)
Material of contact body	PA (UL 94 HB)
Material of housing	CUZn (brass nickel plated)

Cable data

Contacts 4: Male receptacle for M8 tube

Electrical values

Rated voltage	30 V
Rated impulse voltage	800 V
Pollution degree	3
Overvoltage category	II
Material group	II
Rated current (40°C)	4 A
Volume resistivity	≤ 3 mΩ
Degree of protection	IP 67
Mechanical operation	>100 mating cycles

