

Product Area Male socket with wires
M5 connectors

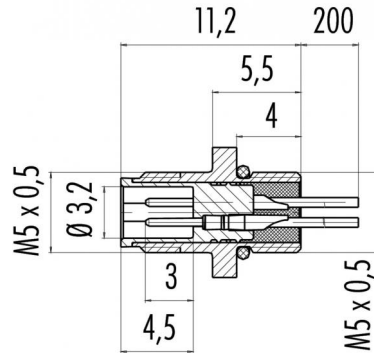
serie 707

Pole 3
Article number 09 3105 00 03

illustration



scale drawing



Contact Arrangement



	X	Y
1	-0,63	-0,63
2	-	-
3	0,63	0,63
4	-0,63	0,63

- 1 braun / brown
- 2 nicht kontaktiert / not assembled
- 3 blau / blue
- 4 schwarz / black

Technical data

Common values

Connector Design	Male socket
Connector locking system	Screw
Termination	assembled with wires
Wire gauge (mm)	0,14 mm ²
Wire gauge (AWG)	26
Cable outlet	-
Upper temperature	+80 °C
Lower temperature	-25 °C

Electrical values

Rated voltage	60 V
Rated impulse voltage	800 V
Pollution degree	3
Overvoltage category	II
Material group	I
Rated current (40°C)	1 A
Volume resistivity	≤ 3 mΩ
Degree of protection	IP 67
Mechanical operation	>100 mating cycles

Material

Material of contact	CuZn (brass)
Contact plating	Au (gold)
Material of contact body	PA
Material of housing	CUZn (brass nickel plated)

Cable data

material housing	-
insulation single lead	-
single lead structure	-
temperature range cable movable c from	-5
temperature range cable movable c to	80
temperature range cable fixed c from	-25
temperature range cable fixed c to	80
bending radius cable fixed	-
bending radius cable movable	-

Contacts 3: cable: 3 x 0,14 mm², Male socket with wires

