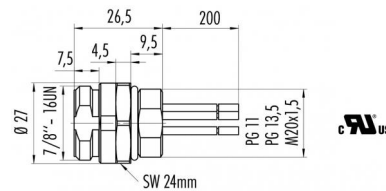


| | | | | |
|--------------|--|---------------|---------------------|------------------------|
| Product Area | Male socket with wires AWG 18, with UL approval 7/8" connectors | serie 820/870 | Pole Article number | 2+PE 09 2447 320 03 |
|--------------|--|---------------|---------------------|------------------------|

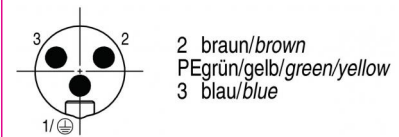
illustration



scale drawing



Contact Arrangement



You can find the assembly instruction on the next page.

Technical data

Common values

| | |
|--------------------------|----------------------|
| Connector Design | Male socket |
| Connector locking system | screw 7/8" - 16 UN |
| Wire gauge (mm) | 0,82 mm ² |
| Wire gauge (AWG) | 18 |
| Upper temperature | +85 °C |
| Lower temperature | -25 °C |

Material

| | |
|--------------------------|--------------------------------|
| Material of contact | CuZn (brass) |
| Contact plating | Au (gold) |
| Material of contact body | PUR, PA (UL 94 HB) |
| Material of housing | zinc diecasting, nickel plated |

Electrical values

| | |
|-----------------------|--------------------|
| Rated voltage | 600 V |
| Rated impulse voltage | 2500 V |
| Pollution degree | 3 |
| Overvoltage category | III |
| Material group | III |
| Rated current (40°C) | 10 A |
| Volume resistivity | ≤ 3 mΩ |
| Degree of protection | IP 67 |
| Mechanical operation | > 50 mating cycles |

Cable data

| | |
|------------------------------|---|
| material housing | - |
| insulation single lead | - |
| single lead structure | - |
| conductor resistance | - |
| bending radius cable fixed | - |
| bending radius cable movable | - |

Fixing thread: M20 y 1,5, contacts: 2+PE, male socket with wires AWG 18, with UL approval



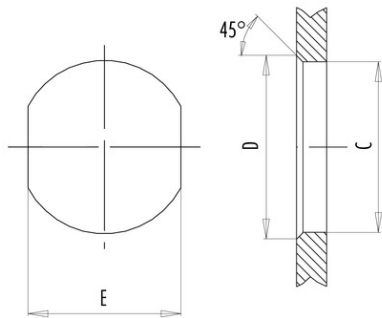
Product Male socket with wires AWG 18, with UL approval
Area 7/8" connectors serie 820/870

Pole 2+PE
Article number 09 2447 320 03

Date: 2014-07-20 - Page 2 of 2

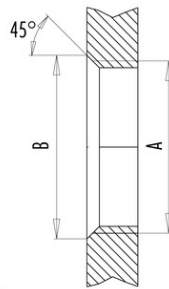
Installation instructions / Mounting cutout

Mit Durchgangsbohrung/With bore hole



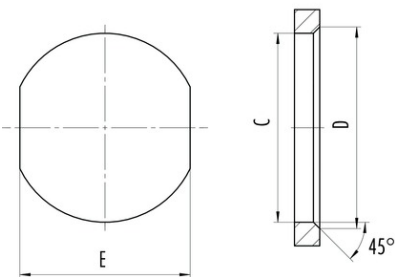
alternativ/alternativ

Mit Gewinde, einschraubbar/With thread to screw in



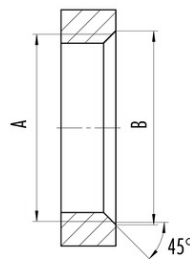
| | A | B | C | D | E |
|---------|---------|------|------|------|------|
| PG11 | PG11 | 20,2 | 18,7 | 20,2 | 17,0 |
| PG13,5 | PG13,5 | 22,0 | 20,5 | 22,0 | 18,8 |
| M20x1,5 | M20x1,5 | 21,6 | 20,1 | 21,6 | 17,8 |

Mit Durchgangsbohrung/With bore hole
von vorn verschraubbar/front fastened



alternativ/alternativ

Mit Gewinde, einschraubbar/With thread to screw in



| A | B | C | D | E |
|-------------|------|------|------|------|
| 7/8-16UN-20 | 23 | 22,4 | 23,9 | 20,2 |
| M26x1,5 | 27,3 | 26,2 | 27,7 | 24,2 |