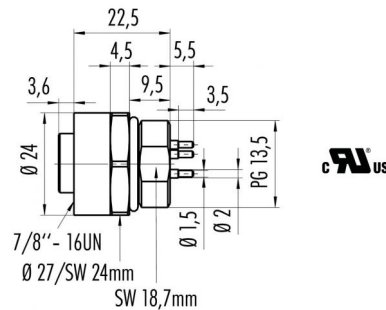


Product Area	Flanschdose, Tauchlötkontakte 7/8" connectors	serie 820/870	Pole Article number	2+PE 09 2446 330 03
--------------	--	---------------	---------------------	------------------------

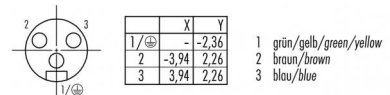
illustration



scale drawing



Contact Arrangement



You can find the assembly instruction on the next page.

Technical data

Common values

Connector Design	Female socket
Wire gauge (mm)	-
Wire gauge (AWG)	-
Cable outlet	-
Upper temperature	+85 °C
Lower temperature	-25 °C

Material

Material of contact	CuZn (brass)
Contact plating	Au (gold)
Material of contact body	PUR (UL 94 HB)
Material of housing	zinc diecasting, nickel plated / brass nickel plated

Electrical values

Rated voltage	600 V
Rated impulse voltage	2500 V
Pollution degree	3
Overvoltage category	III
Material group	III
Rated current (40°C)	10 A
Volume resistivity	≤ 5 mΩ
Degree of protection	IP 67
Mechanical operation	>100 mating cycles

Cable data

material housing	-
insulation single lead	-
single lead structure	-
conductor resistance	-
bending radius cable fixed	-
bending radius cable movable	-
approval	UL

Polzahl: 2+PE, Flanschdose, Tauchlötkontakt



Product Flanschdose, Tauchlötkontakte
Area 7/8'' connectors

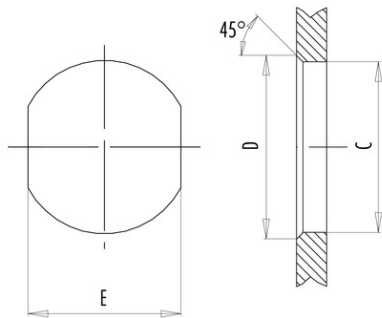
serie 820/870

Pole 2+PE
Article number 09 2446 330 03

Date: 2014-07-20 - Page 2 of 2

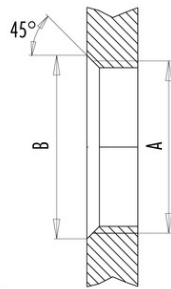
Installation instructions / Mounting cutout

Mit Durchgangsbohrung/With bore hole



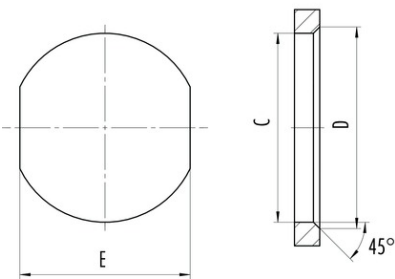
alternativ/alternativ

Mit Gewinde, einschraubbar/With thread to screw in



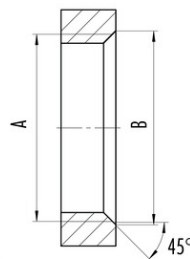
	A	B	C	D	E
PG11	PG11	20,2	18,7	20,2	17,0
PG13,5	PG13,5	22,0	20,5	22,0	18,8
M20x1,5	M20x1,5	21,6	20,1	21,6	17,8

Mit Durchgangsbohrung/With bore hole
von vorn verschraubbar/front fastened



alternativ/alternativ

Mit Gewinde, einschraubbar/With thread to screw in



A	B	C	D	E
7/8-16UN-20	23	22,4	23,9	20,2
M26x1,5	27,3	26,2	27,7	24,2