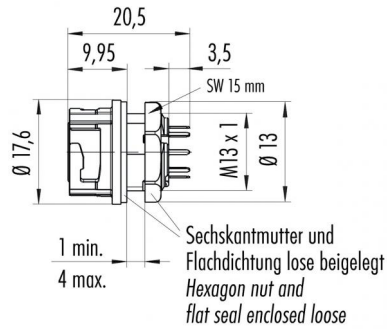


Product Area	Flanschdose, tauchlöten NCC Steckverbinder IP 67	serie 770	Pole	8
			Article number	09 0774 090 08

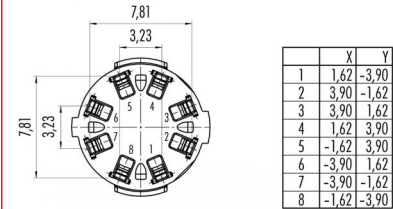
illustration



scale drawing



Contact Arrangement



You can find the item description and assembly instruction on the next page.

Technical data

Common values

Termination	dip solder
Wire gauge (mm)	0,25 mm <sup>2</sup>
Upper temperature	+85 °C
Lower temperature	-25 °C

Material

Material of contact body	PA (UL 94 V-0)
Material of housing	PA (UL 94 HB)

Electrical values

Rated voltage	175 V
Rated impulse voltage	1750 V
Pollution degree	2
Overvoltage category	II
Material group	II
Rated current (40°C)	2 A
Volume resistivity	≤ 15 mΩ

Cable data

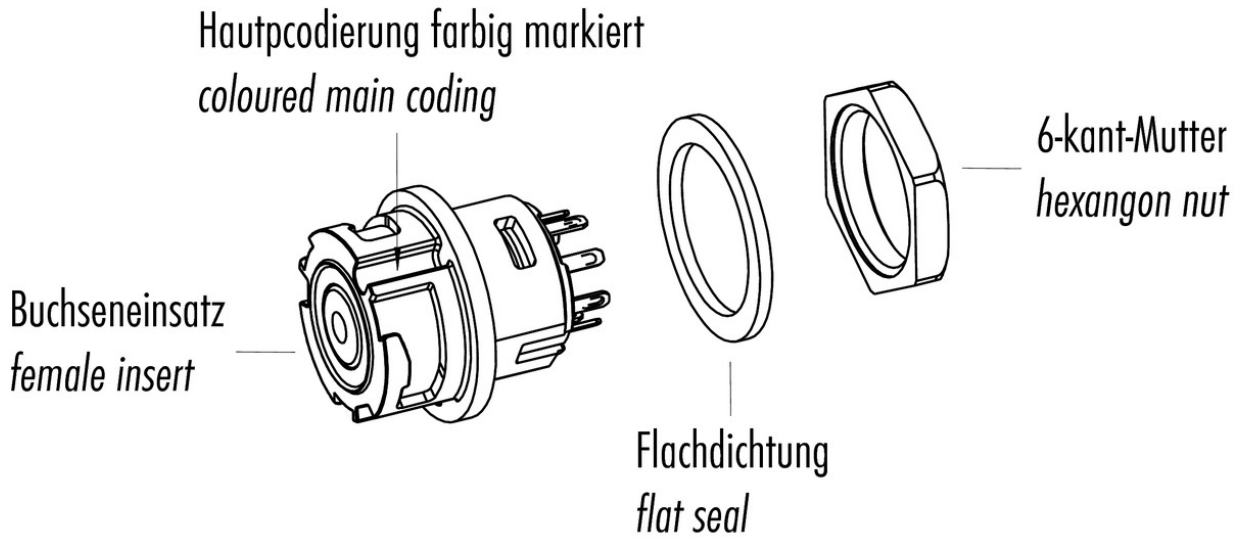
Polzahl: 8, Flanschdose, tauchlöten



Product Area	Flanschdose, tauchlöten NCC Steckverbinder IP 67	serie 770	Pole Article number	8 09 0774 090 08
--------------	---	-----------	------------------------	---------------------

Date: 2014-07-20 - Page 2 of 2

Item description



Installation instructions / Mounting cutout

